

# DUAL PRESSURE GAUGE PANEL



Waterco's Dual Pressure Gauge Panel is an extremely versatile pressure measurement and test instrument. It can simultaneously display the output of two pressure gauges, so that you can accurately monitor the filter's pressure drop.

## Features

- Easy installation
- Fibreglass panel
- Precision measurement
- Liquid filled gauges that minimizes the effect of severe environments, protects the gauge internals and provides continuous lubrication in the mechanism
- Corrosion resistant stainless steel casing gauges

## Technical Specification:

Service: Liquids

Case & Ring (Pressure Gauges): stainless steel

Pressure Limit: 0 -4.1 BAR (0 -60 PSI)

Process Connections: 1/4"BSPT

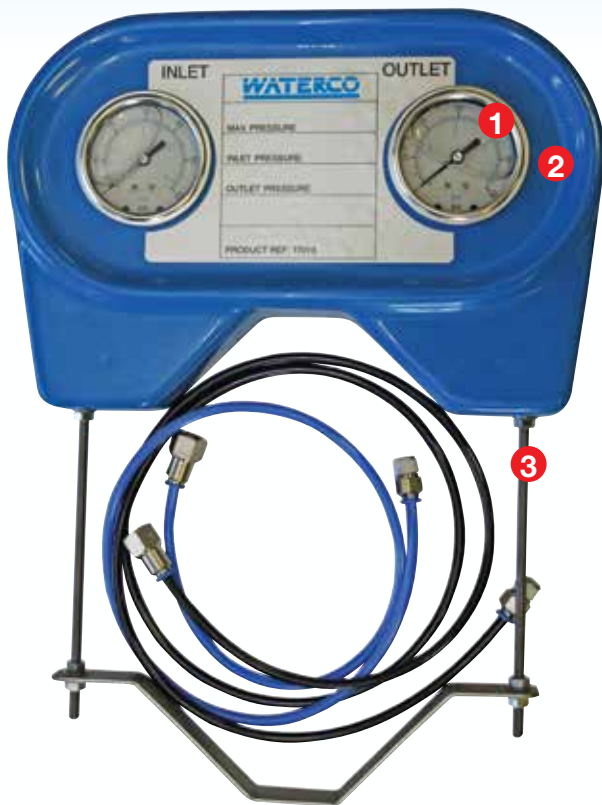
Accuracy: 2.5% full scale

Bourdon Tube: Phosphor bronze

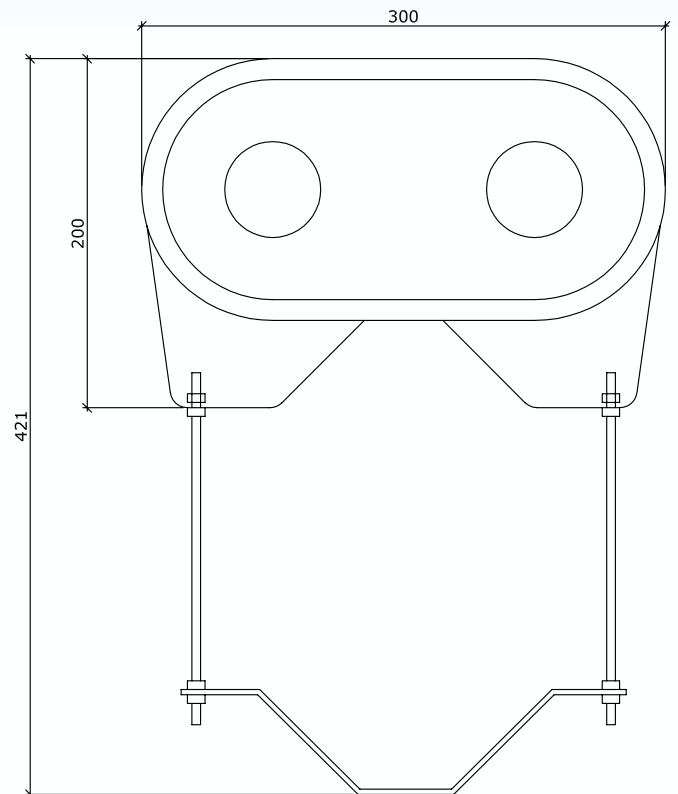
Window: Polycarbonate

Dial: Galvalume white background with blue and black markings

Pointer: Galvalume black finish



1. Pressure gauge 4 bar / 60psi
2. Fibre glass panel
3. Mounting Bracket c/w tubing & nuts



\* Please refer to Waterco's warranty terms and conditions.

### OFFICES - AUSTRALIA

NSW - Sydney (Head Office)  
Tel: +61 2 9898 8600

QLD - Brisbane  
Tel: +61 7 3299 9900

VIC/TAS - Melbourne  
Tel: +61 3 9764 1211

WA - Perth  
Tel: +61 8 9273 1900

SA/NT - Adelaide  
Tel: +61 8 8244 6000

ACT Distribution  
Tel: +61 2 6280 6476

### OFFICES - OVERSEAS

Waterco (Europe) Limited  
Sittingbourne, Kent, UK  
Tel: +44 (0) 1795 521 733

Waterco (USA) Inc  
Augusta, Georgia, USA  
Tel: +1 706 793 7291

Waterco Canada  
Longueuil, Quebec, Canada  
Tel: +1 450 748 1421

Waterco (NZ) Limited  
Auckland, New Zealand  
Tel: +64 9 525 7570

Waterco (C) Limited  
Guangzhou, China  
Tel: +86 20 3222 2180

Waterco (Far East) Sdn Bhd  
Selangor, Malaysia  
Tel: +60 3 6145 6000

PT Waterco Indonesia  
Jakarta, Indonesia  
Tel: +62 21 4585 1481

Waterco Singapore Intl Pte Ltd  
Nehsons Building, Singapore  
Tel: +65 6344 2378

Waterco France  
SAINT PRIEST, France.  
Tel: +33 4 72 79 33 30

DISTRIBUTED BY:

**WATERCO**  
water, the liquid of life



ZZB1504\_07/12