

HYDROSTAR COMMERCIAL *PUMPS*

Hydrostar pumps are high performance corrosion resistant thermoplastic pumps, purpose built for commercial swimming pools, aquatic facilities and water parks.



The Hydrostar pump's unique construction offers several advantages in comparison to steel pumps. Glass reinforced thermoplastic possesses superior mechanical and chemical resistance compared to steel. Hydrostar's pump body does not rust or corrode and able to withstand damage from many types of water treatment chemicals.

Its composite construction has facilitated the incorporation of a clear polycarbonate lid, enabling an instant view of its strainer basket.

Hydrostar pump's weighs less than its steel counterparts without any sacrifice in strength and durability. Their weight makes them easier to ship to the job site and easier to install.

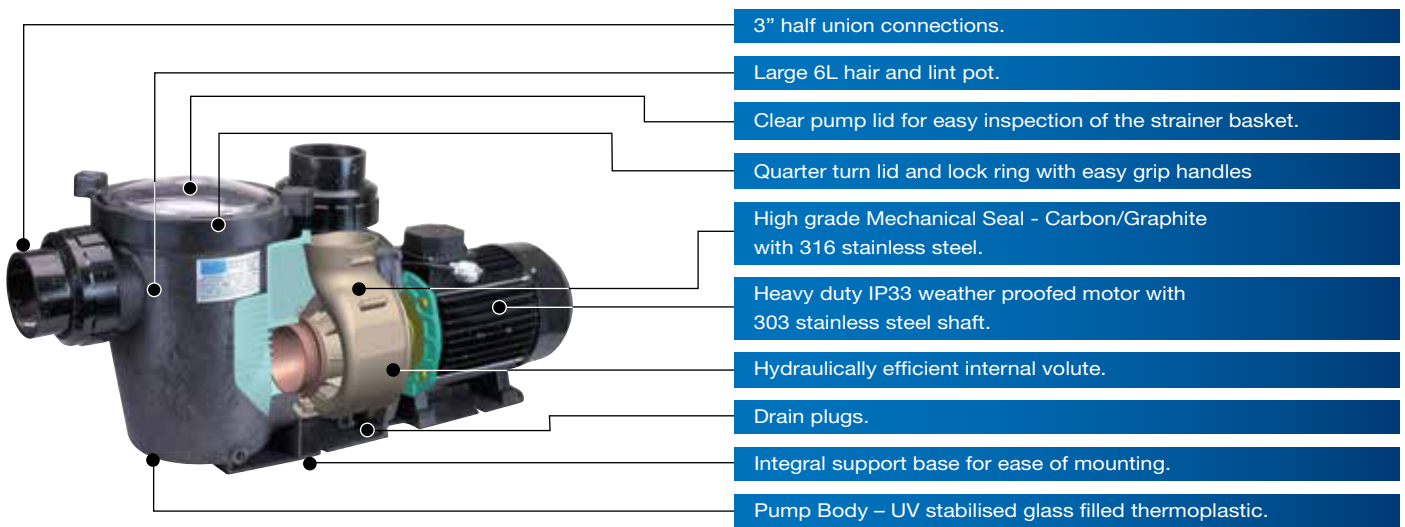


Hydrostar MKIII

Hydrostar Plus

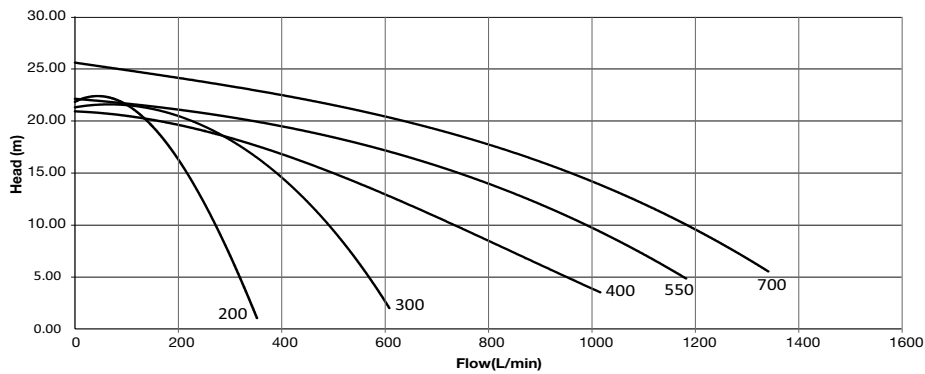
Hydrostar MKIII

The pump body is manufactured utilising state of the art engineering plastic moulding with a single piece strainer pot and volute for extra strength.



The Hydrostar MKIII has been designed to provide a substantially quieter operation with even higher flow rates and higher head than the previous Hydrostar models. Waterco has improved the hydraulic efficiency of the pump with the introduction of an internal volute. The volute's hydraulic design provides a natural balanced water flow and reduces hydraulic turbulence.

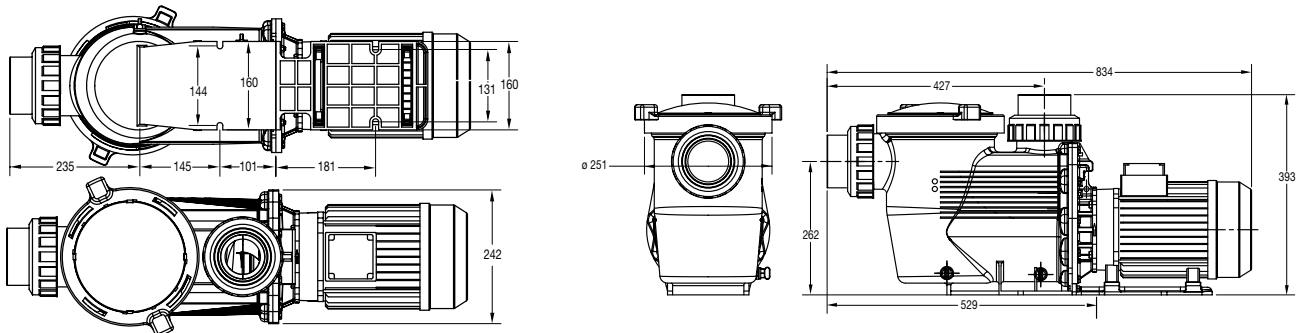
Performance Chart



Technical Specifications

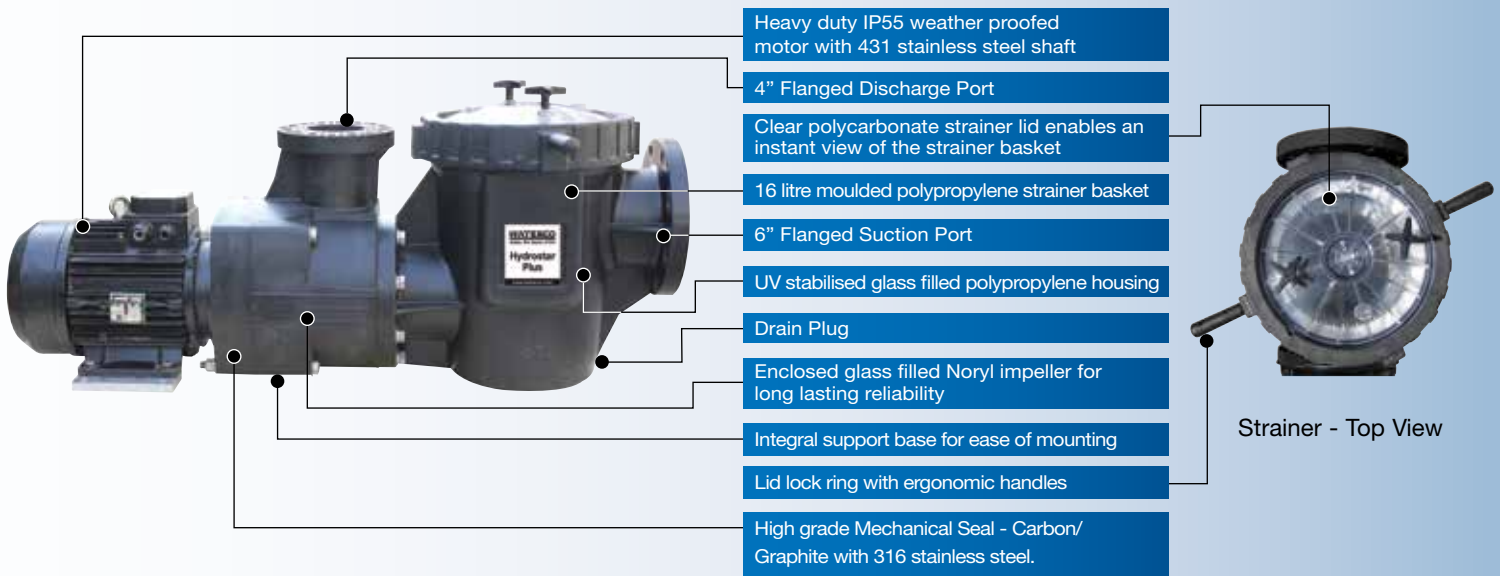
Pump Code	Model	Input Power		Amps/Phase	Weight (kg)	Total Length (mm)	Motor Frame
		(kW)	(HP)				
24042003	200 MK3	1.52	2.0	3.6	25.0	749	80
240430083	300 MK3	2.21	3.0	4.1	29.7	815	90
240440033	400 MK3	3.11	4.2	5.1	32.0	834	100
240455033	550 MK3	4.24	5.7	7.3	35.0	834	100
240470033	700 MK3	5.44	7.3	9.3	42.0	857	112

Phase	Volts	Cycle	RPM	Pump Rating
3	380-415	50	2900	IP55



Hydrostar Plus

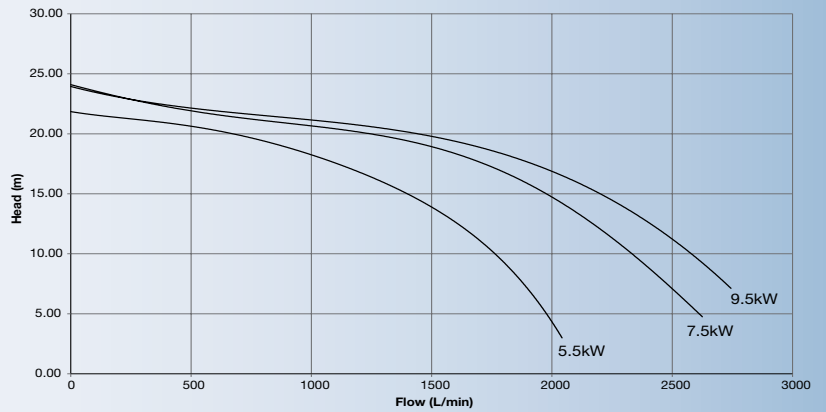
Hydrostar Plus pumps incorporate the latest technology in design and construction to produce a high performance self priming pump.



Material

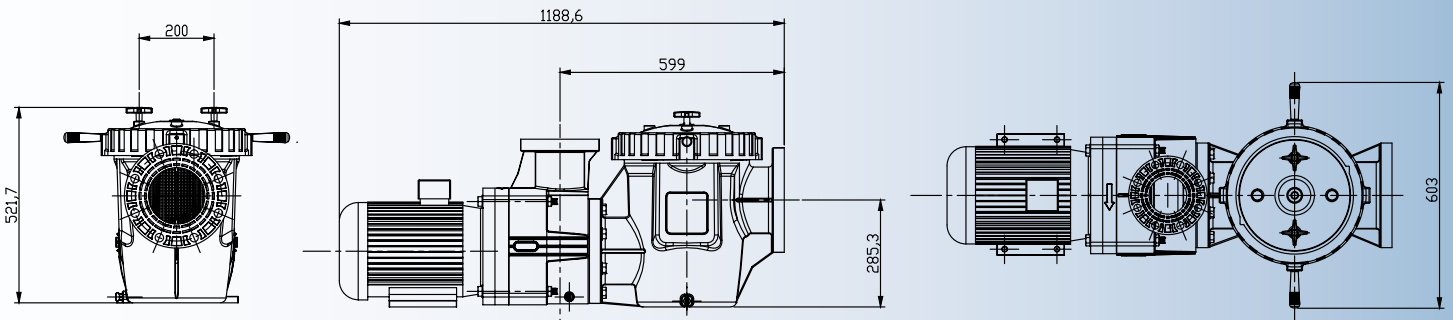
- Motor Bracket : GF Polypropylene
- Pump Bracket : GF Polypropylene
- Pump Body O Ring : NBR
- Seal Assembly : Alumina Ceramic/SS316/Carbon (Silicon Carbide optional)
- Impeller : GF Noryl
- Diffuser : GF Polypropylene
- Pump Body : GF Polypropylene
- Strainer Basket : Polypropylene
- Strainer Lid : Polycarbonate
- Lock Ring : GF Noryl

Performance Chart



Technical Specifications

Pump Code	Model	Motor Input (kW)	Nominal Power (HP)	Amps	phase	Volts	Weight (kg)	Total Length (mm)	Motor Frame	Pump Rating	Motor
2460750	5.5kW	6.2	8.3	10.15	3	380 - 415	73	1190	132	IPX5	2940
2461000	7.5kW	8.5	11.4	14.35	3	380 - 415	75	1190	132	IPX5	2940
2461250	9.5kW	10.5	14.0	17.70	3	380 - 415	91	1218	132	IPX5	2940



A photograph of a swimming pool with clear blue water. Several lane lines with purple and white floats are visible across the pool. In the foreground, two stainless steel handrails are mounted on a tiled deck. The lighting is bright, creating shadows on the tiles.

Warranty

Waterco commercial pumps are covered by a comprehensive 1 year warranty for commercial installations.



Established since 1981, Waterco is an Australian public listed company involved in the manufacture and distribution of:

- Swimming pool/spa equipment and chemicals
- Domestic water filters, softeners and purifiers
- Commercial and Industrial water treatment equipment.

Waterco's research & development team has created an innovative range of award winning products.

The company's advanced fibreglass winding and pioneering plastic moulding techniques have delivered premium quality products to over 40 countries via its branches operating in Australia, New Zealand, Malaysia, China, the United Kingdom, United States of America, Canada, Indonesia and Singapore.



OFFICES - AUSTRALIA

NSW - Sydney (Head Office)
Tel: +61 2 9898 8600
QLD - Brisbane
Tel: +61 7 3299 9900
VIC/TAS - Melbourne
Tel: +61 3 9764 1211
WA - Perth
Tel: +61 8 9273 1900
SA/NT - Adelaide
Tel: +61 8 8244 6000
ACT Distribution
Tel: +61 2 6280 6476

OFFICES - OVERSEAS

Waterco (Europe) Limited
Sittingbourne, Kent, UK
Tel: +44 (0) 1795 521 733
Waterco (USA) Inc
Augusta, Georgia, USA
Tel: +1 706 793 7291
Waterco Canada
Longueuil, Quebec, Canada
Tel: +1 450 748 1421
Waterco (NZ) Limited
Auckland, New Zealand
Tel: +64 9 525 7570

Waterco (C) Limited
Guangzhou, China
Tel: +86 20 3222 2180

Waterco (Far East) Sdn Bhd
Selangor, Malaysia
Tel: +60 3 6145 6000

PT Waterco Indonesia
Jakarta, Indonesia
Tel: +62 21 4585 1481

Waterco Singapore Intl Pte Ltd
Nehsons Building, Singapore
Tel: +65 6344 2378

Waterco France
SAINT PRIEST, France.
Tel: +33 4 72 79 33 30

DISTRIBUTED BY:



ZZB1241 09/16