

## SWB103 Tubular Swing Barrier

[WWW.MAG.COM.MY](http://WWW.MAG.COM.MY)

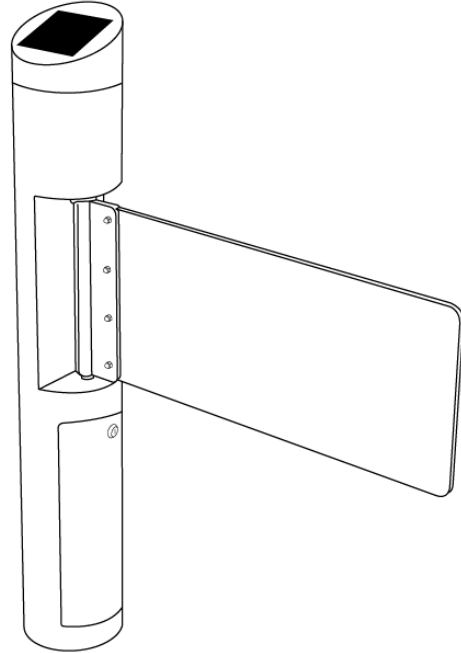
### General Description

MAG SWB103 is an automatic motorized stainless steel tubular swing barrier. SWB103 has smallest installation footprint while offering widest opening clearance to allow big boxes, trolley, wheelchair, baby stroller or user with big luggage to pass through with comfort. Swing barrier compact size help to save space and can fit into narrow places.

### Application

SWB103 is typically used together with flap barrier or turnstile as manual lane for handicapped user or user with big luggage. SWB103 is suitable for low traffic light duty application.

SWB103 is for indoor usage only.



### Features

#### 1) Low maintenance

Uses DC brushless motor eliminate the need of changing carbon brush thus reducing maintenance work.

#### 2) Better accuracy

Intelligent control board with auto calibrate that provide more accurate reading to ensure the opening and closing of gate at the same position at all time.

#### 3) Customized opening

Support bi-directional and widest 900mm opening. Gate length can be easily customized to fit site requirement. Auto synchronized opening when 2 swing barriers are installed for the same passage. Both side will open and close at the same time. Gate motor mechanism is self lock at open and close position.

#### 4) Emergency recovery

During power failure, swing barrier will automatically open up to allow free access. When power resume, swing barrier will automatically close back to resume security level.

In the event of emergency such as fire alarm, swing barrier can be automatically triggered to open permanently to allow fast evacuation until the fire alarm resumed.

#### 5) Easy integration

Can integrate with access control system.

- Trigger to open by dry contact. Automatic close back after auto timer elapsed. Delay time can be programmed on swing barrier control panel.
- Trigger to open by dry contact (NC) and close by dry contact (NO). This allowed access control reader to control swing barrier opening and closing time.

#### 6) More safety

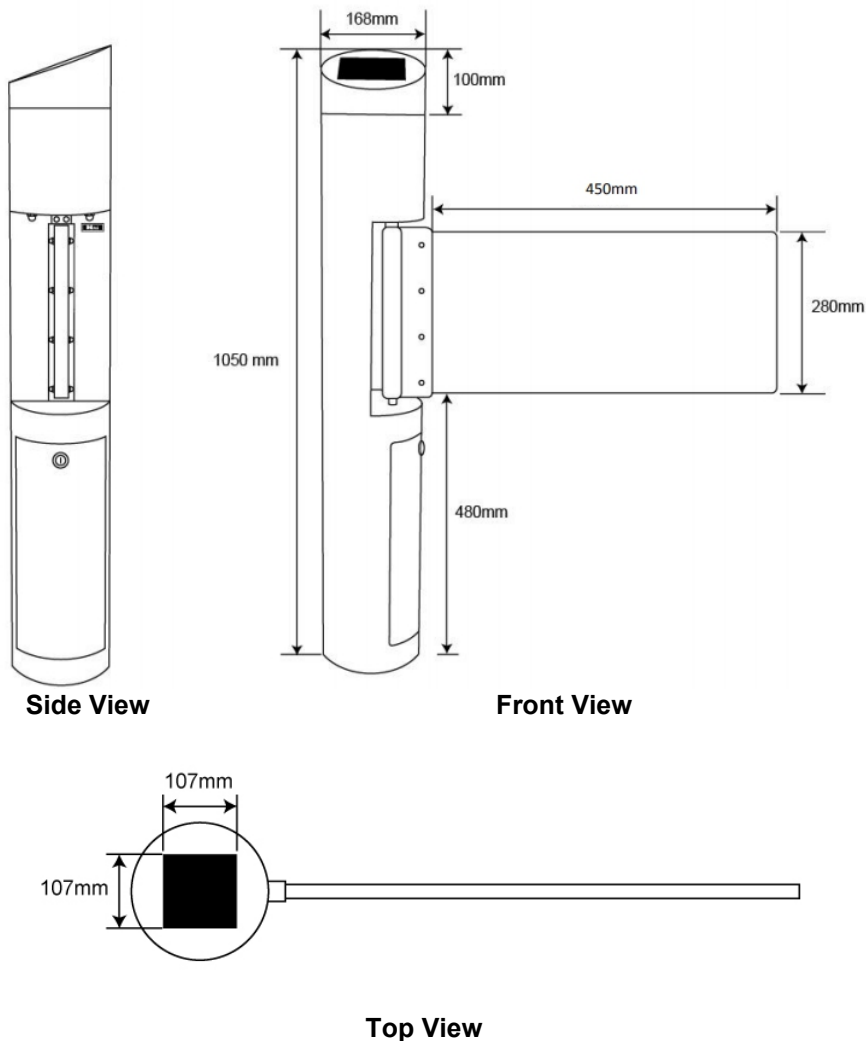
Optional railing with safety IR beam can be added to auto reverse the gate upon detecting obstacle in the passage way. This way the gate is reversed before even hitting user that is still in the passage way. More safety to the user.

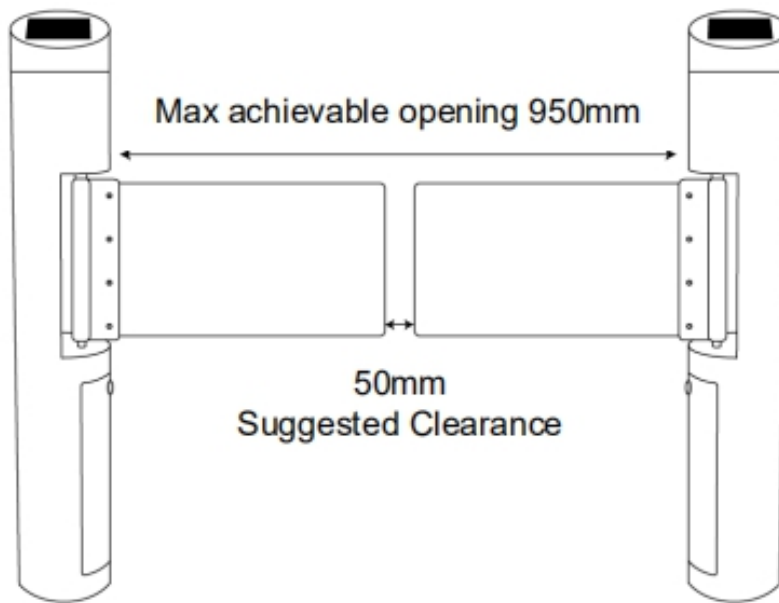
Built-in *Automatic Rebound system (ARS)* that will sense brute force and rebound back to original position when someone kick the door by force as vandalism attempt. This will protects door leaf and gearbox from being vandalism by brute force.

## Technical specification

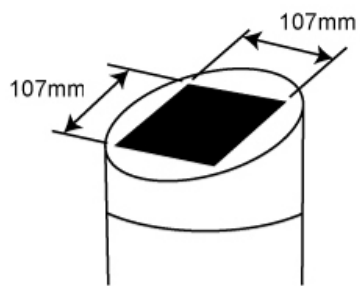
Description	Parameter
Cabinet dimension	168mm (Diameter) x 1050mm (H)
Weight	30 kg
Default gate length (transparent aryllic)	450 mm
Cabinet material	# 304 stainless steel, 2.0 mm
Power supply	AC220 $\pm$ 10%V/50 $\pm$ 10%HZ
Motor voltage	DC 24V (Brushless motor)
Access device input voltage	Dry contact
Optimal flow rate	20 to 25 people per minute
Gate swing angle	90 deg per side
Gate opening speed	Programmable 0.9 - 2.8 sec
Initialization time	14 sec
Working environment	Indoor only
Working temperature	-35°C - 75°C
Relative humidity	$\leq$ 90%
Power Rating	30 W
IP Rating	IP 52

## Dimension





**Front View**



**Acrylic plate (reading area) dimension**

### **Ordering info**

Swing barrier model: SWB103

© COPYRIGHT 2020. This documentation served as a reference only. It is subject to change without further notice. All the diagrams and information in this documentation may not be duplicated or modified in any form without the written approval from the management.