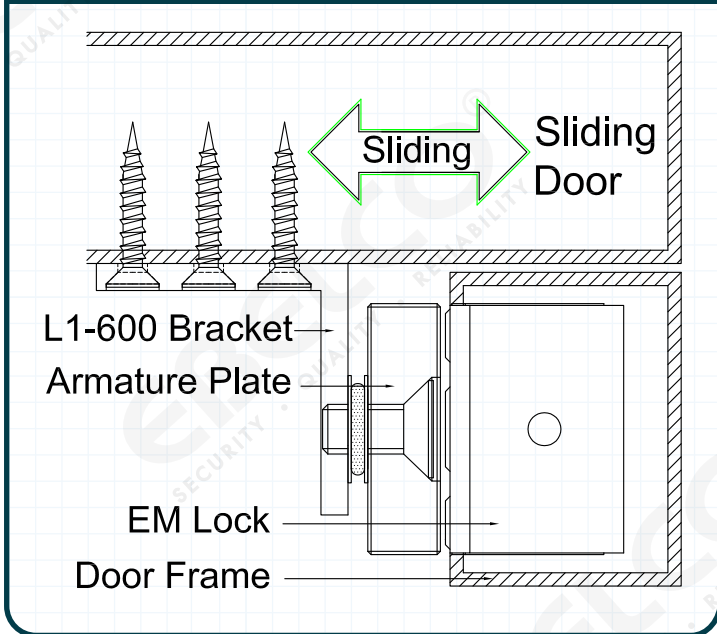


### [ L1-600 ]

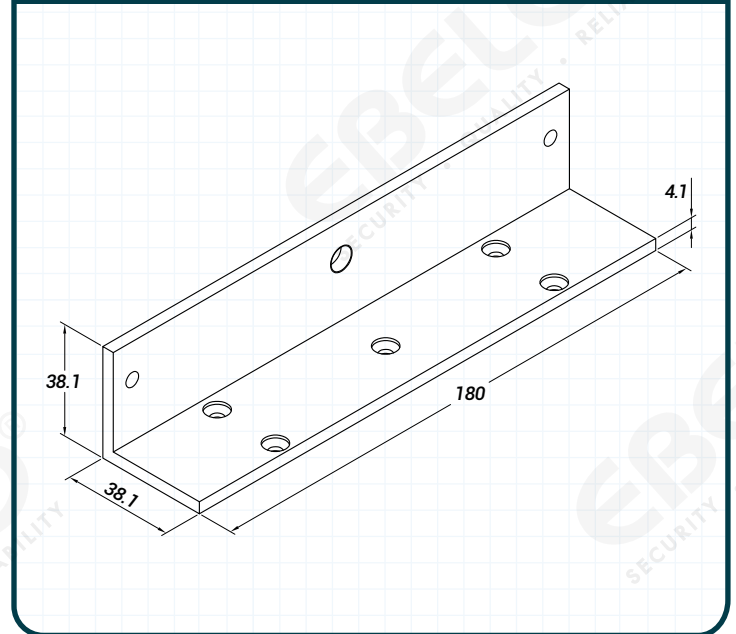
### [ OPTIONAL BRACKET ]

### [ SLIDING DOOR APPLICATION ]

#### BRACKET APPLICATION



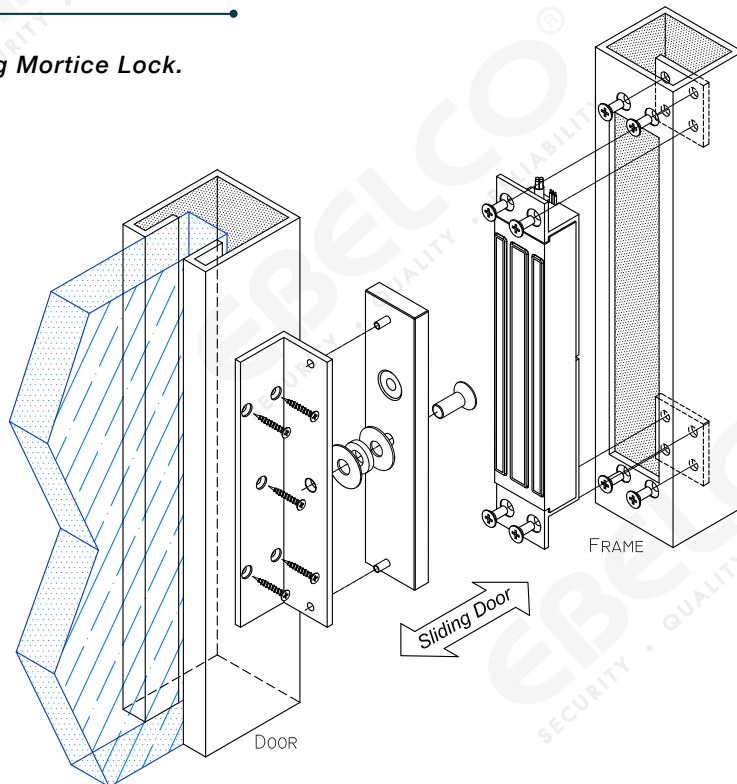
#### SPECIFICATIONS ( UNIT = MM )



#### INSTALLATION METHOD

##### Notes

+ Sample installation shown below is using Mortice Lock.



**DISCLAIMER :** EISB reserve the right to change with any modifications or features or price without forewarning. All the information and specifications stated in this document are current at the time of publication.

**SECURITY . QUALITY . RELIABILITY**

**EBELCO INDUSTRIES SDN. BHD.** 474704-V

16, Jalan TTC 26, Taman Teknologi Cheng,  
75250, Melaka, Malaysia.

☎ : [+606] 333 8855    📠 : [+606] 333 8822

🌐 : [www.ebelco.com](http://www.ebelco.com)    ✉ : [enquiry@ebelco.com](mailto:enquiry@ebelco.com)



[WWW.EBELCO.COM](http://WWW.EBELCO.COM)