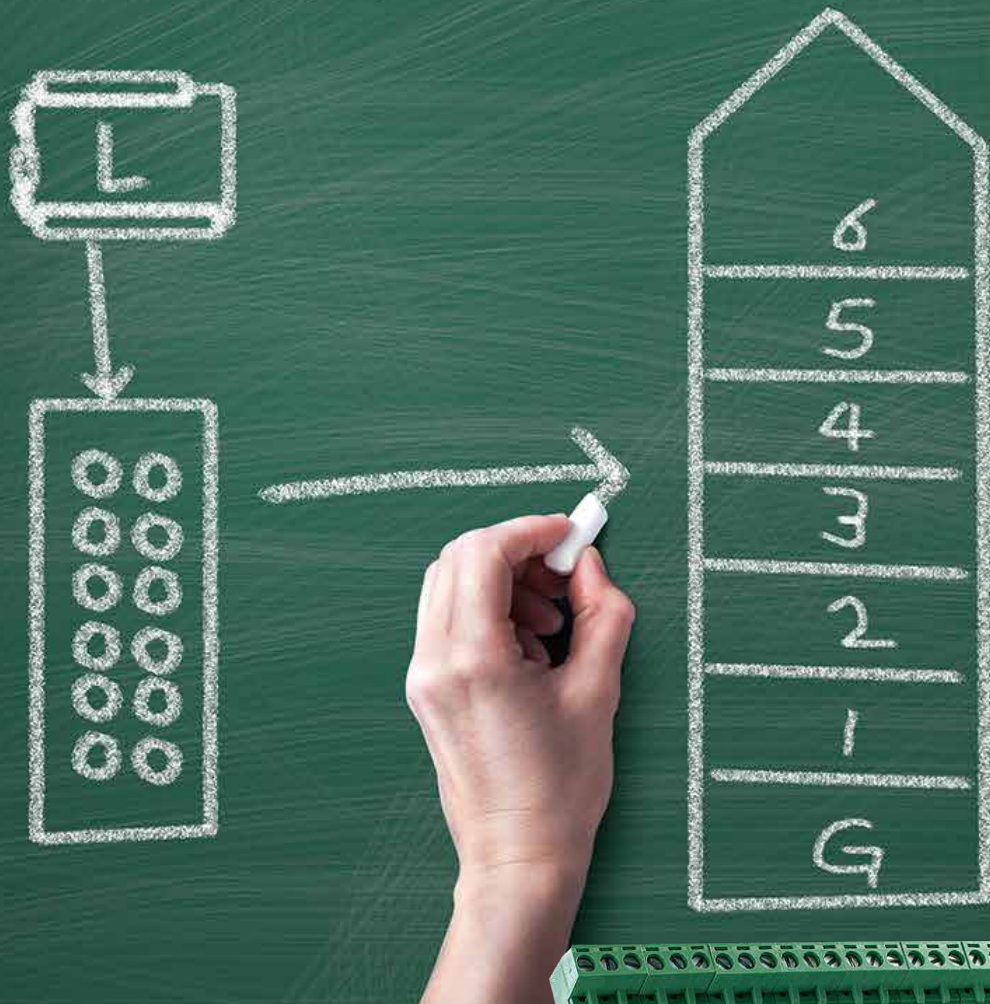
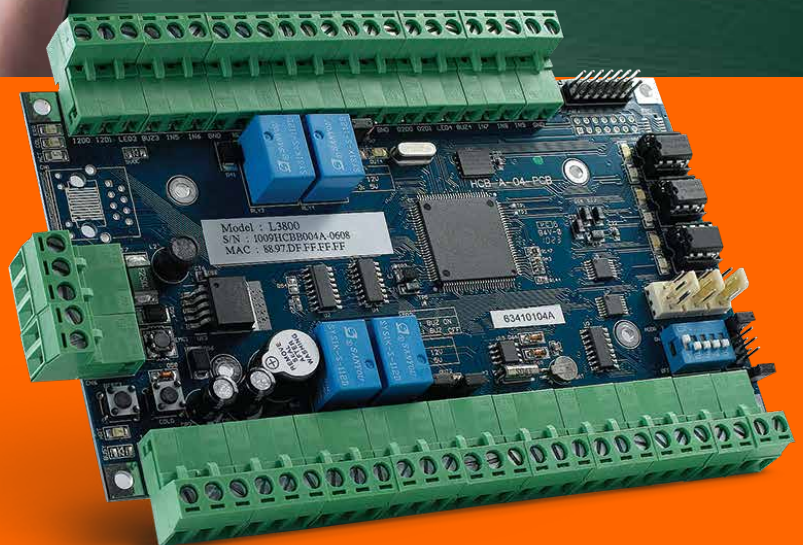


# L3800

Elevator Control Panel



Our range of Entrypass control panels enable you to design floor-by-floor elevator access control to the card holders, letting you customize access level for individual card holder depending on your company policies. Depending on need, you have the power to control accessibility from 8 floors to 136 floors. What's more, you can choose to utilize the Entrypass hybrid control panel that comes with both serial and active network communication interface to cater to any installation you already have, making integration easier for you.



# L3800 Elevator Control Panel

## Feature Highlight

Support 8 floors by default (expendable to 136 Floors max.)

Support timezone control bypass for individual floor

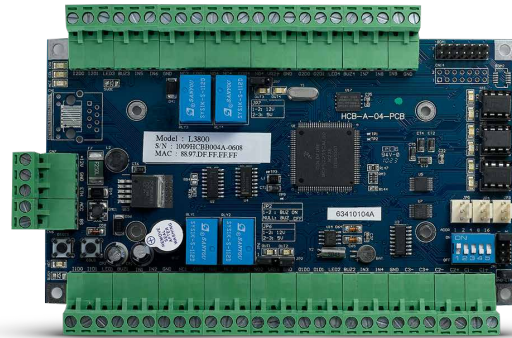
Support up to 4 readers max.

Support both RFID & biometrics readers

Emergency bypass function by software

Emergency bypass function by key Switch

Support 30,000 Users And 80,000 Event Memory



## Technical Specification

Hardware	Description
MCU	32bits @ 60MHz
Memory	256K Flash Memory 32K SRAM (Buffer) 64Mbits Non-Volatile SPI Flash Memory (Storage)
Operating Temperature	0 °C to 40 °C
Card holder	30,000
Event Transaction	80,000
Number Reader Supported	4
Number of IO Supported	8 (Complete with Expand Board)
Number of Floor Supported	136
Onboard Real Time Clock	Yes
Serial Communication Port	RS232/RS485 User Configurable
Power Protection	Resettable Fuse - 2.5A
Surge Protection	TVS - Up to 15KVA
Onboard LED Control	Power / Communication / LAN / Event / Error
Onboard Buzzer	1
Onboard watchdog	Yes
AC Fail Monitoring	Yes
Battery Monitoring	Yes (Firmware threshold control to shutdown control panel)
External Short Circuit Protection	At readers
Backup Battery	Yes, Apply to RTC only

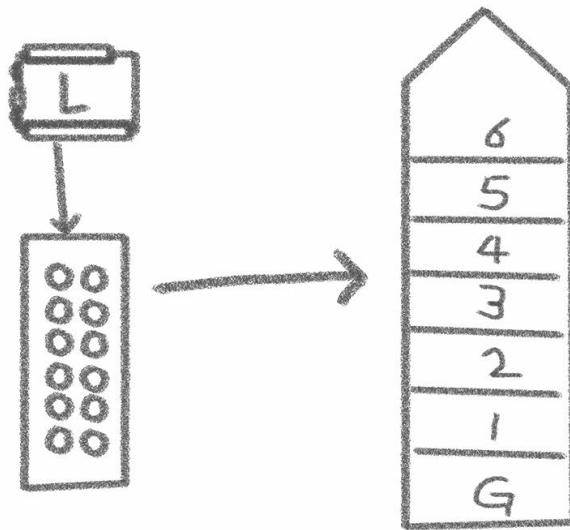
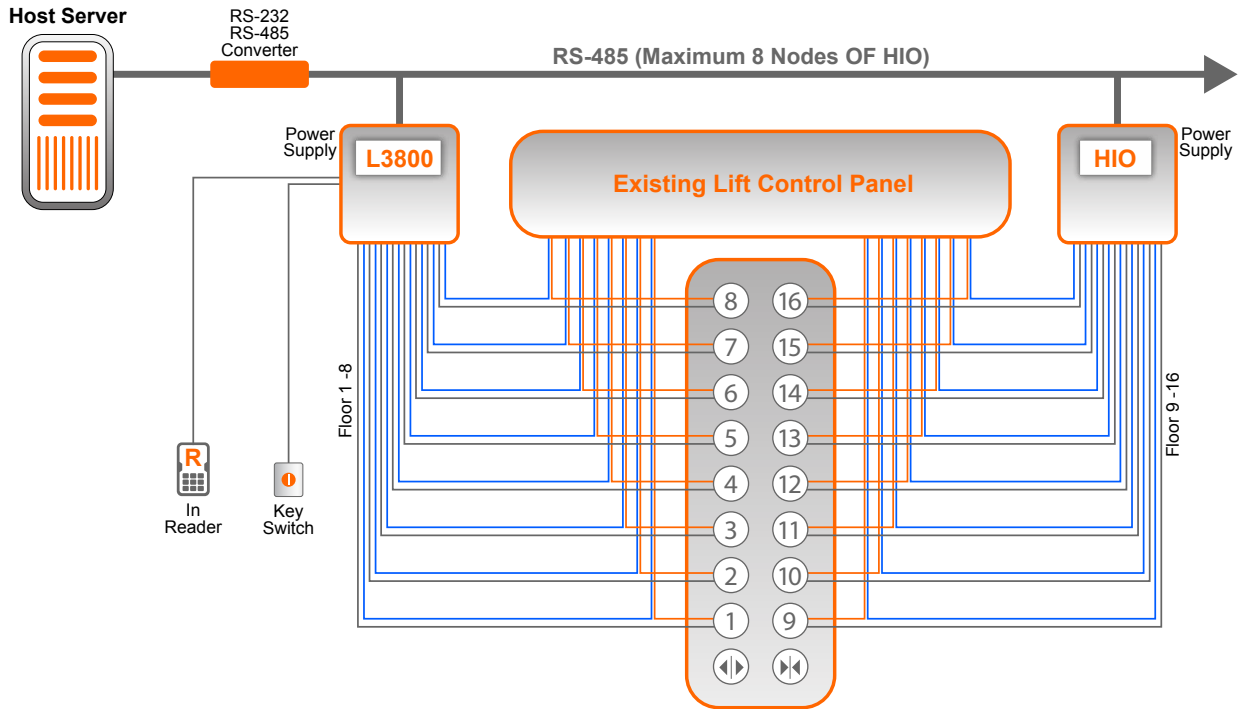
### Ordering Information

EP.L3800.PSU

Entrypass 4 Readers Advanced Serial Elevator Control Panel with Power Supply Unit

# L3800 Elevator Control Panel

## Basic System Diagram



[www.entrypass.net](http://www.entrypass.net)

### Malaysia

No. 40, Jalan TPP 1/10, Taman Industri Puchong, Batu 12 Jalan Puchong, 47160 Puchong Selangor Darul Ehsan, Malaysia.  
Tel : +603 8068 1929  
Fax : +603 8062 6937  
Email : info@entrypass.net

### Singapore

No. 1, UBI View, #03-03, Focus ONE Building, Singapore 408555.  
Tel : +65- 6841 7242  
Fax : +65- 6841 3937  
Email : info@entrypass.net

### Indonesia

Jl. Raya Lodan No. 2, kompl. Ruko Lodan Centre Blok. P 10, Jakarta Utara 14430, Indonesia.  
Tel : +62 21 6983 3153  
Fax : +62 21 690 3005  
Email : info@entrypass.net

A securityhub group company

