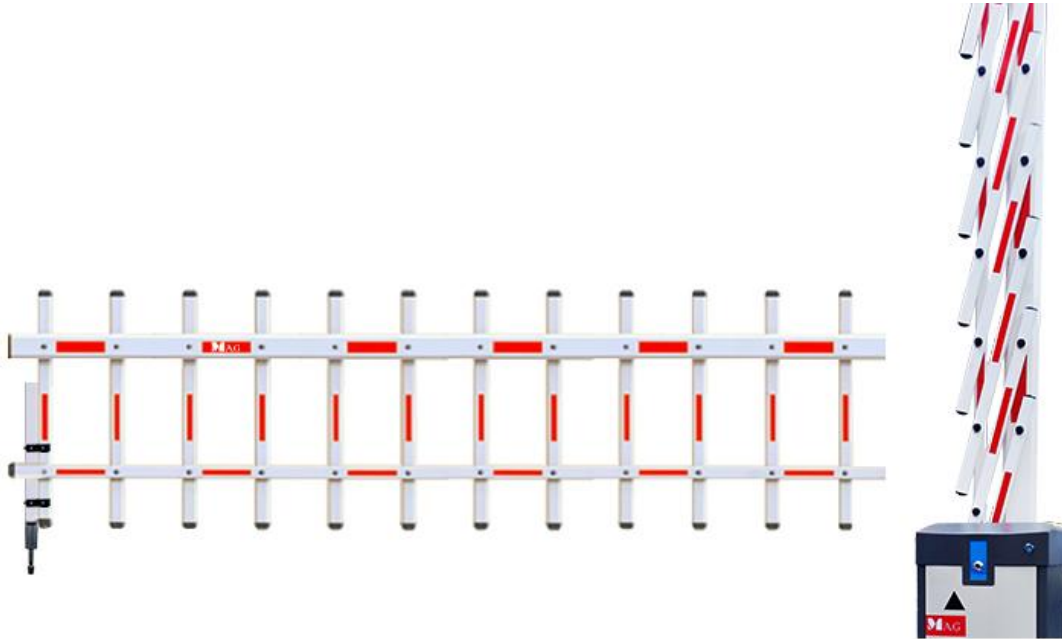


Fence Barrier Arm

WWW.MAG.COM.MY



Description

The fence is a built-in grill fence underneath the arm. It eliminates the possibility of pedestrians gaining unauthorized access by crawling under the barrier arm. Therefore, MAG Barrier can effectively control the vehicle and pedestrian access while achieving a higher security level.

Application

MAG Fence Arm is only suitable to use on MAG BR660T_FE. Arm is made of octagon aluminium hollow. Maximum can support 4.5-meter length. Another customized length is also available upon request. The red reflective adhesive is put onto the arm alternately for better vision during nighttime. Suitable for the outdoor parking areas at the airport, shopping malls, warehouses, hotels, factories, condominiums, car rental companies

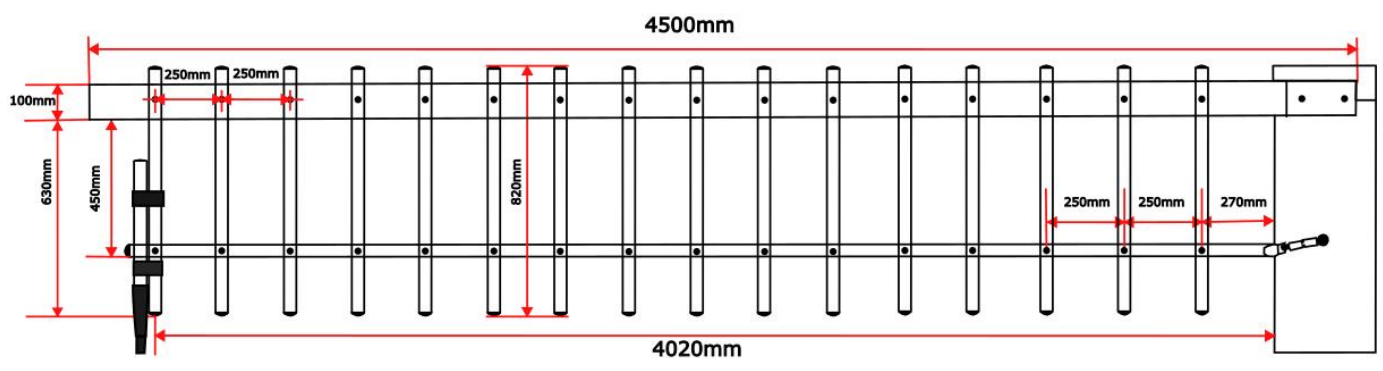
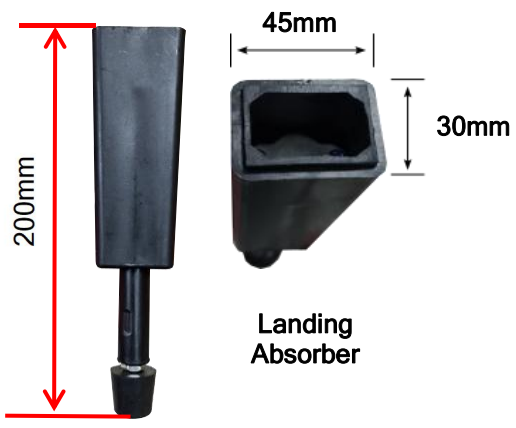
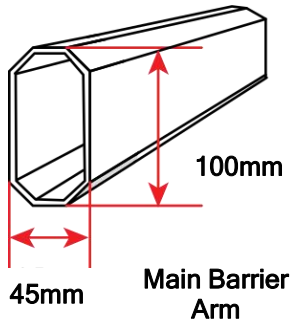
Features

- ✓ **Heavy Duty.** MAG Fence arm is made of aluminium, and an enhanced and innovative mechanical design can reduce mechanical wear and tear. These features allow the fence to work longer for you
- ✓ **Spare Part Availability,** If the arm is damaged, your site will be exposed to security threats if you wait a long time for spare parts to arrive from overseas. MAG offers complete spare parts and repair service locally at an affordable price to ensure your gate can resume operation in the shortest time possible.

Technical Parameters

Description	Parameters
Housing Material	Aluminium Alloy
Dimension	(Need to get correct Dimension at pandan indah)
Length	4.5m
Weight	8.4kg
Fence Material	Aluminium Alloy
Additional Accessories	Fence Arm Landing Absorber

Dimension



*Product performances is based on testing in a controlled environment. Your result may vary due to several external and environment factors.



© COPYRIGHT 2023. This documentation served as a reference only. It is subject to change without further notice. All the diagrams and information in this documentation may not be duplicated or modified in any form without the written approval from the management.