

**MULTIMEDIA DATA/VIDEO PROJECTORS**


# When you want the best... FULL HIGH-DEFINITION

Cutting-edge mobile projectors  
with clear, sharp, vivid imagery



*New*

**FULLHD  
1080** **FD730U**

### High Image Quality

**Vivid color 4100lm\* Brightness and 3000:1 High Contrast**  
Features including impressive 4100lm brightness and a high contrast of 3000:1 allow the FD730U to reproduce clear, sharp images regardless of venue size, be it a large meeting room or lecture hall. Mitsubishi Electric's original color wheel and BrilliantColor™ are incorporated as well, ensuring life-like color reproduction. Whether coming from a computer, video-cassette player or other source, the reproduction of vivid images full of color is guaranteed.



3000lm



4100lm

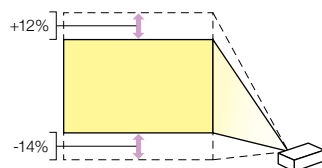
### Installation flexibility

#### Lens Shift Function (Vertical only)

The problem of offset image often experienced at the time of installation has been eliminated. Simply open the top cover on the projector and use the manual lens shift-adjustment toggle to correct the image. It's safe and easy to use, even when confronted with difficult installation conditions such as a low ceiling.



Shift-adjustment toggle

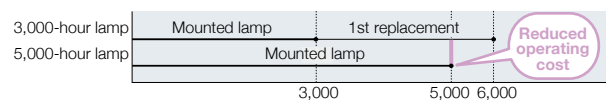


Availability area for lens shift from default position  
\*Please refer to "Screen Size and Projection Distance" on the back cover.

### High Reliability & User friendly Presentation

#### Estimated 5000-hour lamp life (in Low mode)

A longer service life for the projection lamp has been achieved by incorporating an optimal design for lamp temperature control. Benefits include substantial reductions in projector operating cost and the labor required for changing the lamp.



\*Lamp life specification is an estimate based on verification under proper conditions and is not the duration of the warranty. Lamp will shut-off automatically when usage reaches the specified estimated maximum lamp hours. Service life may vary widely depending on usage and operating environment and conditions, as well as users' adherence to the maintenance and cleaning procedures provided in the user's manual.

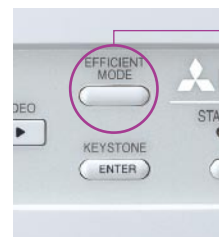
#### Energy-efficient Mode Selection

Models are equipped with selection functions for the lamp, power source and standby mode, allowing each to be set according to the usage environment.

**Lamp Mode: STANDARD / LOW**

**Standby Mode: STANDARD / LOW**

**Auto Power Off: OFF / 5min / 10min / 15min / 30min / 60min**



Modes can be set and changes made to them by direct input using the operation panel on the projector or via the remote controller.

| EFFICIENT MODE |          |
|----------------|----------|
| LAMP MODE      | STANDARD |
| STANDBY MODE   | LOW      |
| AUTO POWER OFF | 5min     |

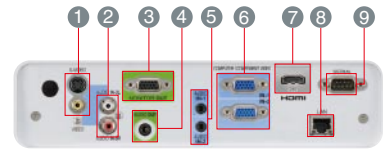
Each mode can be set individually



**New** **FULLHD 1080**  
**MOBILE PROJECTOR**  
**FD730U**



**Input and Output Terminals**



- 1 S-Video / Video
- 2 Audio input-1
- 3 Monitor output
- 4 Audio output
- 5 Audio input-2
- 6 Computer / Component video input
- 7 HDMI
- 8 LAN (RJ-45)
- 9 Serial RS-232C

|                  |                |                |                  |                      |                    |                  |
|------------------|----------------|----------------|------------------|----------------------|--------------------|------------------|
| Brilliant Color™ | Color Enhancer | Wall Screen    | 10W Speaker      | User Logo Projection | Manual Lens Shift  | Efficient Mode   |
| Audio Mix        | Visual PA      | Password Lock  | Direct Power Off | Long-life Lamp       | Low Stand-by Power | Top Loading Lamp |
| LAN (RJ-45)      | HDMI           | Closed Caption | Low Fan Noise    |                      |                    |                  |

Picture Performance    Presentation    User-friendly



**Other Features**

**Auto Power Off**

If no image signal is output for a predetermined period of time\*, power is automatically turned off, realizing energy savings by reducing needless power consumption.

\*Time preset by user

**Stand-by Wattage under 0.5W\***

Stand-by (low) mode power consumption is less than 0.5W, offering increased energy savings and further contributing to environmental preservation.

\*When in stand-by (low) mode. At this time, use of the LAN function is not possible.

**Unpainted Cabinet (Recyclable)**

As an eco-conscious measure to promote recycling, an unpainted projector cabinet is adopted.

**Quiet 28dB Operation**

Projection fan noise can be distracting during a presentation or videoconference. The FD730U operates at a significantly low noise level of only 28dB (i.e., in "low lamp" mode). As a result, presentations and conferences can be held without distracting projector noise in the background.

**Excellent Sound Projection (10W Speaker+Audio Mix)**

Using Audio Mix and the built-in 10W speaker, the voice of the presenter and audio from an external audio source can be delivered simultaneously.

**Network Connectivity**

Projectors are equipped with a RJ-45 LAN terminal for remote operation. In addition to that, the FD730U is compatible with PjLink™.

\*The trademark of PjLink is trademark applied for registration or registered trademark in Japan, the United States, and other countries and areas.

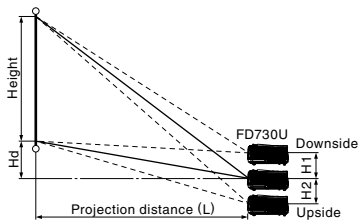
**Specifications**

|                         |  |
|-------------------------|--|
| Model                   | FD730U   |
| Display technology      | 0.65" 1-chip DMD   |
| Resolution              | 1920 × 1080 (total 2,073,600 pixels)   |
| Brightness*             | 4100lm   |
| Contrast ratio          | 3000 : 1   |
| Picture size            | 40" - 300"   |
| Throw ratio             | 1.4 ~ 2.1  |
| Source lamp             | Standard Mode: 280W (Shut-off Time 3000hrs)<br>Low Mode: 230W (Shut-off Time 5000hrs)  |
| PC compatibility        | 640 × 480 - 1600 × 1200 True : 1920 × 1080, sync on green available  |
| Video compatibility     | NTSC / NTSC 4.43 / PAL (including PAL-M, N) / SECAM / PAL-60<br>Component video; 480i/p (525i/p), 576i/p (625i/p), 720p (750p), 1080i/p (1125i/p 50/60Hz)  |
| Input terminals         | RGB; mini D-sub 15pin × 2<br>Audio; stereo mini jack (ø3.5mm) × 2<br>(one for Computer1, the other for Computer2)<br>Video; RCA × 1 + S-VIDEO × 1 Digital; HDMI × 1<br>Video audio; RCA jack (L/R) × 1 |
| Output terminals        | RGB; mini D-sub 15pin × 1 Audio; stereo mini jack (ø3.5mm) × 1   |
| Communication terminals | SERIAL; mini D-sub 9pin × 1 (RS232C)<br>LAN (RJ-45); × 1 (projector control)   |
| Audio speaker           | 10W mono   |
| Dimensions (W × H × D)  | 345 × 134 × 270 mm / 13.6 × 5.3 × 10.6 inch  |
| Weight                  | 4.3kg / 9.5lbs   |
| Power requirements      | AC 100-240V, 50/60Hz   |
| Optional lamp           | VLT-XD700LP  |

\* Compliance with ISO21118-2005    \*Varies depended on condition.    \*All brand names and product names are trademarks, registered trademarks or trade names of their respective holders.    \*Lamp life specification is an estimate based on verification under proper conditions and is not the duration of the warranty. Lamp will shut-off automatically when usage reaches the specified estimated maximum lamp hours. Service life may vary widely depending on usage and operating environment and conditions, as well as users' adherence to the maintenance and cleaning procedures provided in the user manual.    \*HDMI, the HDMI Logo, and High-Definition Multimedia Interface are trademarks or registered trademarks of HDMI Licensing LLC in the United States and other countries."

**Screen Size and Projection Distance**

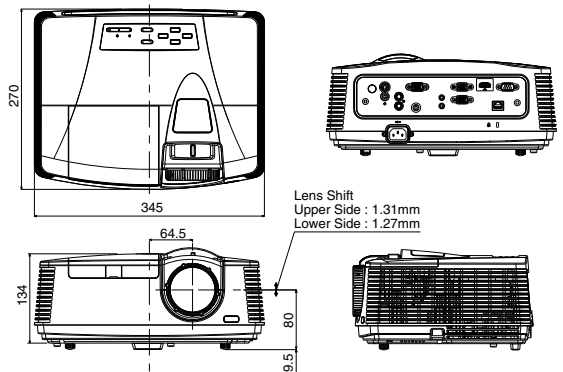
Side view



Screen size chart

| Screen (16 : 9) |     |           |     | Projection Distance (L) |     |                 |     | Height projected image (Hd) |     | Lens shift height |     |      |    |     |    |
|-----------------|-----|-----------|-----|-------------------------|-----|-----------------|-----|-----------------------------|-----|-------------------|-----|------|----|-----|----|
| Diagonal size   |     | Width (W) |     | Height (H)              |     | Shortest (Wide) |     | Longest (Tele)              |     | H1                |     | H2   |    |     |    |
| inch            | cm  | inch      | cm  | inch                    | cm  | inch            | m   | inch                        | m   | inch              | cm  | inch | cm |     |    |
| 40              | 102 | 35        | 89  | 20                      | 50  | 47              | 1.2 | 71                          | 1.8 | 6.6               | 17  | 2.8  | 7  | 2.4 | 6  |
| 60              | 152 | 52        | 133 | 29                      | 75  | 71              | 1.8 | 107                         | 2.7 | 10                | 25  | 4    | 11 | 4   | 9  |
| 80              | 203 | 70        | 177 | 39                      | 100 | 96              | 2.4 | 144                         | 3.6 | 13                | 34  | 6    | 14 | 5   | 12 |
| 100             | 254 | 87        | 221 | 49                      | 125 | 120             | 3.1 | 180                         | 4.6 | 16                | 42  | 7    | 18 | 6   | 16 |
| 120             | 305 | 105       | 266 | 59                      | 149 | 145             | 3.7 | 216                         | 5.5 | 20                | 50  | 8    | 21 | 7   | 19 |
| 150             | 381 | 131       | 332 | 74                      | 187 | 182             | 4.6 | 271                         | 6.9 | 25                | 63  | 11   | 27 | 9   | 23 |
| 200             | 508 | 174       | 443 | 98                      | 249 | 243             | 6.2 | 362                         | 9.2 | 33                | 84  | 14   | 36 | 12  | 31 |
| 250             | 635 | 218       | 553 | 123                     | 311 | 304             | 7.7 | —                           | —   | 41                | 105 | 18   | 45 | 15  | 39 |
| 300             | 762 | 261       | 664 | 147                     | 374 | 365             | 9.3 | —                           | —   | 49                | 126 | 21   | 54 | 18  | 47 |

**Dimensions**



Unit:mm

**MITSUBISHI ELECTRIC CORPORATION**  
 HEAD OFFICE : TOKYO BLDG., 2-7-3, MARUNOUCHI, CHIYODA-KU, TOKYO 100-8310, JAPAN

To find out more about the FD730U and other projectors, visit us at

<http://www.MitsubishiElectric.com/projectors/>