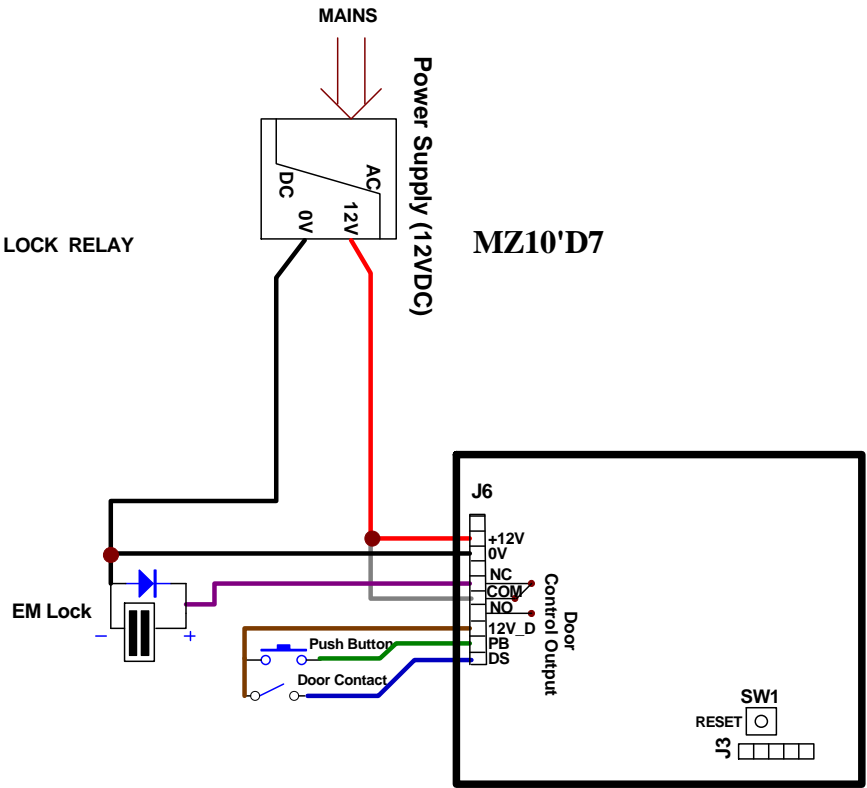
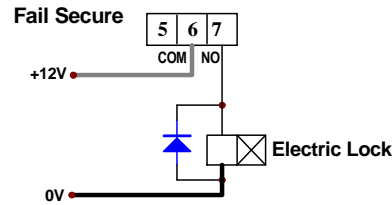
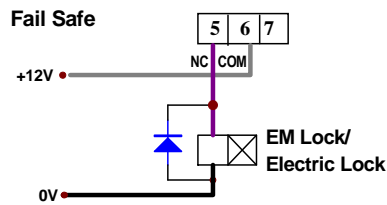


### J6 CONNECTOR

- 1) Nil (Not using)
  - 2) RED ——— + 12V
  - 3) BLACK ——— - Gnd
  - 4) Nil (Not using)
  - 5) VIOLET ——— NC
  - 6) YELLOW ——— COM
  - 7) WHITE ——— NO
  - 8) BROWN ——— 12V\_D
  - 9) GREEN ——— PUSH BUTTON
  - 10) BLUE ——— DOOR SENSOR
- } ELECTRIC LOCK RELAY



### EM Lock / Electric Lock Wiring



Title			<b>MZ10'D7</b>		
Size	Number			Revision	
A4	<b>1</b>			<b>1</b>	
Date:	4-Feb-2013	Sheet of	1 OF 1		
File:	C:\Users\Stacy\Desktop\MZ10D7_factory	Drawn By	Darma		