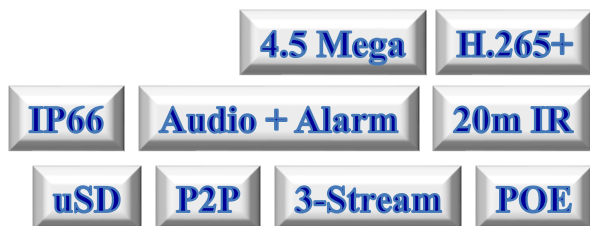


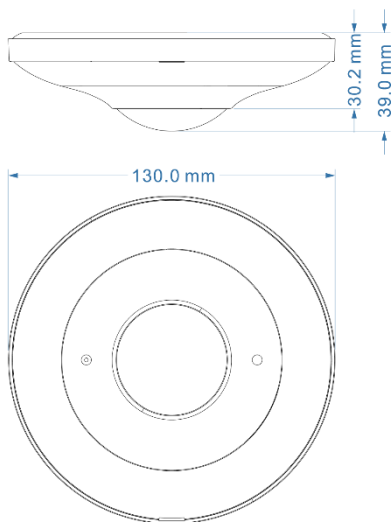
CNC3561 – 4.5MP IR 360° Fisheye Camera



Features

- **4.5 Megapixel** 2160x2160@25fps
- **H.265+** Compression
- **360° Ceiling** Mount / Desktop or **180° Wall** Mount
- 3D-DNR, DWDR, DSS, HLC, BLC etc
- ROI Coding, 3-Stream, P2P
- Day&Night by Filter Change (TDN)
- IRLED Array, 0 Lux up to 20m
- CVBs output, Hardware Reset
- Support uSD card up to 128GB
- Mic. in x1 & Speaker out x1
- Working with NVR **HN3232 / 3432 / 3832 / 3864 / 16128**
- POE / 12VDC Dual Power

SPECIFICATION



| Model | CNC3561 |
|---------------------|--|
| Image Sensor | 1/2.9" progressive scan CMOS Sensor |
| Resolution | 2160x2160 @25fps (PAL) |
| Shuttle | 1/25s ~ 1/100,000s |
| Lens | 1.07mm F2.5 Fixed Lens |
| Day & Night | Filter Change or TDN (True Day & Night) |
| Min. Illumination | 0 Lux up to 20m (Subject to reflection) |
| Network | 10/100-BaseT, RJ45 |
| Audio Compression | G.711A / G.711Mu, 8~48 Kbps |
| Alarm | 1 in & 1 out |
| Compression | 3-Stream : H.265+ / H.265 / H.264+ / H.264 |
| Working Environment | -20°~+50°C, <90° Humidity (Non-Condensing) |
| Power | POE 802.3af compliant/12VDC, Max. 12W |
| Dimension | 130mm(φ) x 39mm(H), 432g |