

BR430T Low Traffic Barrier Gate

WWW.MAG.COM.MY



Description

BR430T is an optimized barrier gate that cater for the daily low traffic parking access usage. It is designed with well balanced between necessity and affordability for every guard house entrance at any low-mid end residential, commercial buildings and factory. Budget limitation no longer an issue to own a barrier gate.

BR430T is backed up with comprehensive local spare parts. Fast spare parts availability is important to ensure your barrier resume operation in shortest time possible in the event of break down.

Application

Suitable for low traffic indoor as well as outdoor parking area at airport, shopping mall, warehouse, hotel, factories, condominium, car rental companies, etc. It can also be customized to be used together with any auto-pay ticketing parking or access control system.

Features

Optimized yet simplified. In the event of power failure, arm can be lifted up manually by rotating the mechanical dial. No backup battery required.

BlueSpeed LE motor uses lowest possible rotation speed (RPM) with our force rotation ratio technology to achieve high speed opening. This reduces mechanical wear and effectively eliminates any maintenance servicing on the motor.

Improved NLSV2 design. NLS V2 is using magnet sensor instead of optical sensor. Optical sensor is subjected to interference from ambient light level. This NLS V2 design removed all blind spot area to achieve perfect opening and closing consistently.

Optimized for low traffic use. Come with necessary features that will keep the barrier functioning for daily usage. Affordable for everyone to own it and suitable for low traffic places.

Easy maintenance. Epoxy powder paint will keep the unit looking clean and new for years. Damaged barrier arm can be replaced easily. AC based motor is stronger and maintenance free (no need to change carbon).

Spare part availability. Full spare parts available locally, no more delay in case of arm broken or motor no functioning. No more waiting 1 or 2 months to import parts from oversea. All original spare parts and repairing services are available from us locally that can make your barrier gate up and running in shortest time possible.

Technical Parameter

Mechanical Unit

Consist of the drive motor, speed reduction gear box and housing. Control panel is mounted into mechanical unit housing as a complete system that drives the arm movement. Housing is made with electroplated mild steel and finished with epoxy powder paint. The top cover and door on housing is cam locked (requires key) to avoid tampering with the internal system. The following is the parameter for complete system:

Motor	MAG Bluespeed LE AC motor
Max starting torque	3 second : 2.1 ± 0.1 N.M
AC rotation speed	3 second : 450 ± 40 RPM
Mechanical temperature	-35° to 75 C
Electrical temperature	-10° to 75 C
Power supply input	220V \pm 10% AC, 50/60Hz
Power consumption	80 watt - 1.25A @ 240V
Starter	Starter Capacitor 10 μ F 450VAC
Relative humidity	< 90 %
Arm speed	3 second
Internal lubrication	Grease
IP rating	IP44
Cycle before failure	4 million cycle (approximately 5.5 year)

Built in spring mechanism to counter balance arm's weight allow for effortless motor drive and longer mechanical life span.

Control panel

Consist of advance intelligent microprocessor based board and transformer housed in a weather resistant plastic casing. It controls the operation of the barrier system.



Function:

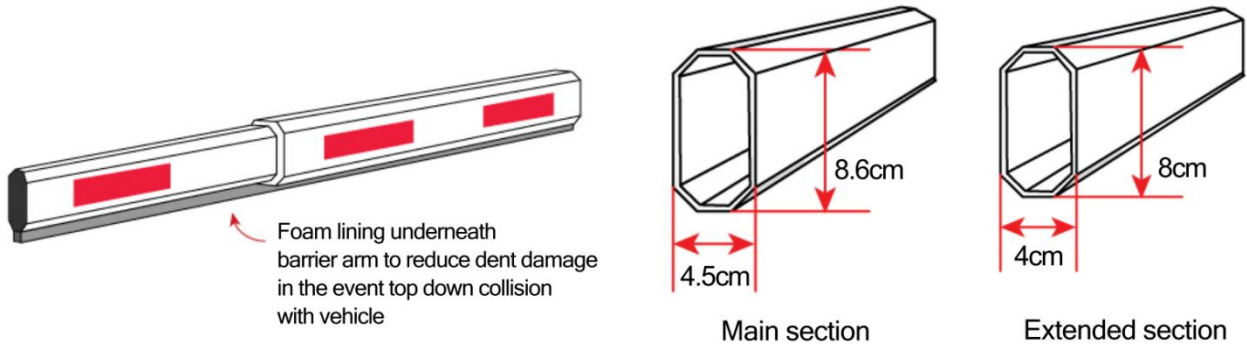
- Support 1 types of speed - 3 second
- Support separate push button for opening , closing and stop
- Optical slot sensor to control up and down limit

Casing is made from weather proof ABS plastic.
Casing dimension: 158mm x 58mm x 113mm

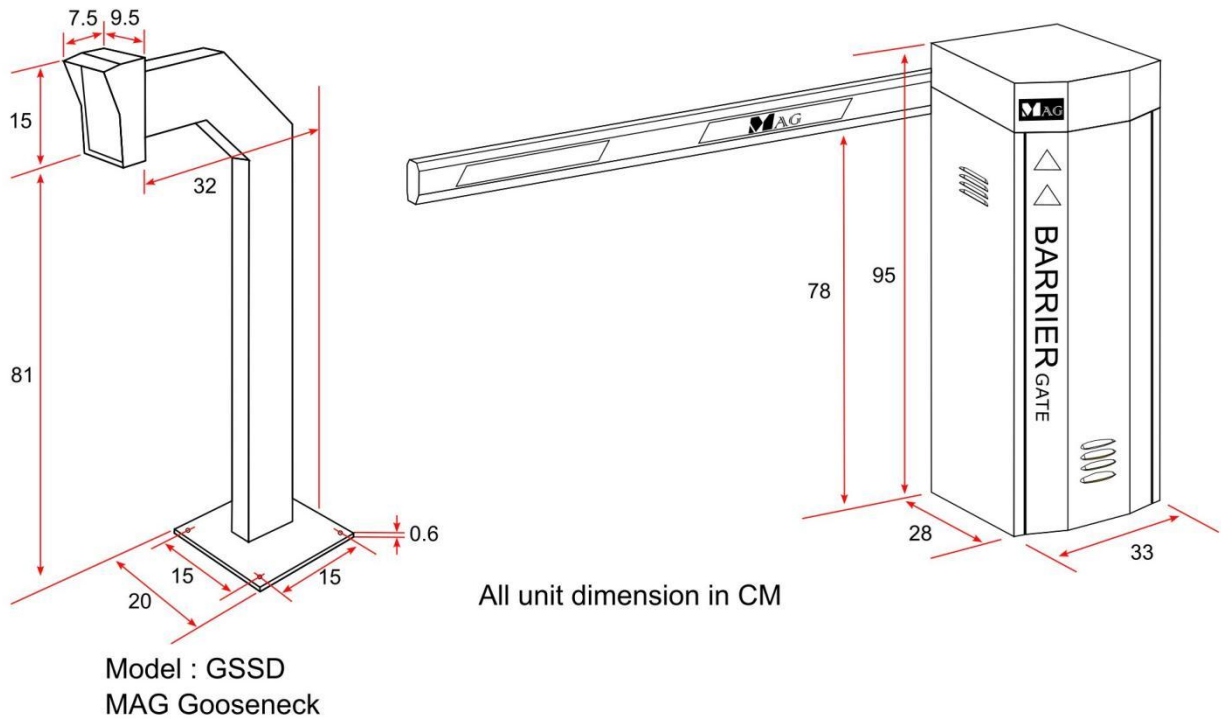
Barrier arm

Telescopic arm

Arm is made of octagon aluminium hollow. There is one standard length 4m available BR430T model. A shorter customized length is also available upon request. Red reflective adhesive is put onto the arm alternately for better visual during night time.



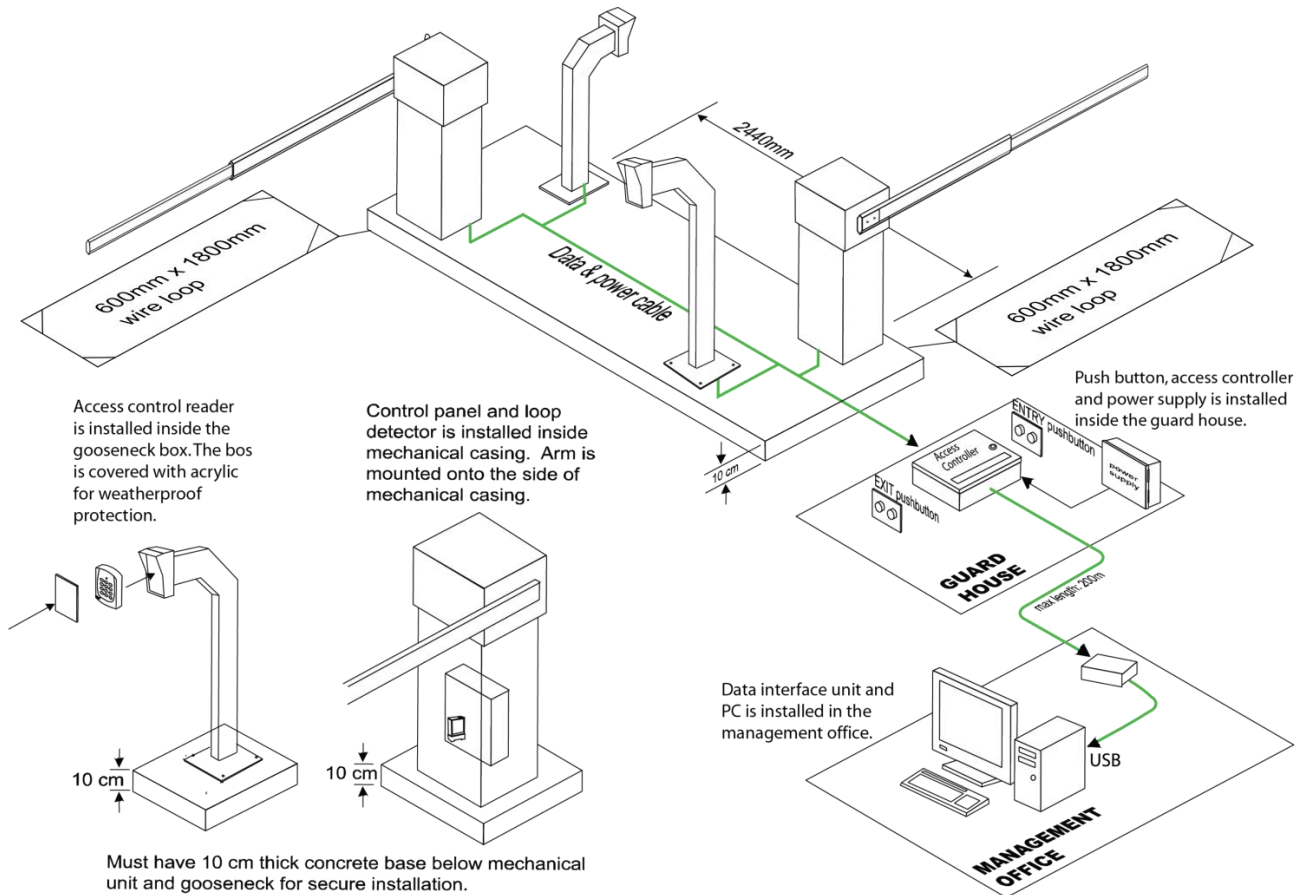
Dimension drawing



Typical installation

With access control system

**Diagram is for illustration only and does NOT reflect actual installation. Actual installation dimension varies depending on site

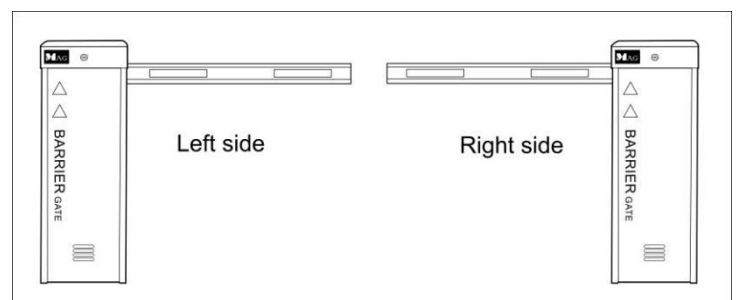


Ordering information

Ordering code:

Model No.	Open/close Speed	Max arm length	Arm swing out
BR430T	3 sec	4 meter	Yes
GSSD	MAG Gooseneck		

Left Side Arm	BR430TL
Right Side Arm	BR430TR



Packaging information

Standard colour body is orange colour, top cover is dark grey in colour. A complete system consists of:

1 pcs	Standard AC 230 Motor
1 pcs	Control panel and MCB switch
1 set	Aluminum Arm
2 pcs	U bracket for base mounting
4 pcs	Raw bolt screw

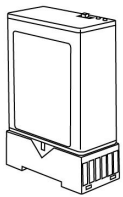
The following is the approximate weight information of major components to help estimate shipping cost.

Items	Weight
Mechanical unit and control panel	39 kg
Gooseneck	9 kg
4 meter arm	5 kg

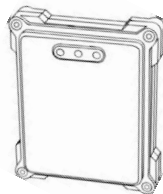
Following is the approximately length of the telescopic arm after retracted

Full length	Retracted
4 meter arm	2.68 meter

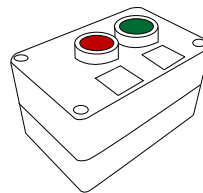
Optional accessories



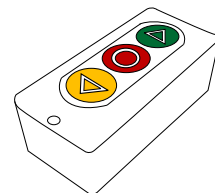
MAG BRD05
Single channel loop detector. Detect presence of vehicle. With feature of Extra Wide Inductance (EWI)



MAG BRD02 DualRay
Vehicle traffic detector. Detect presence of vehicle and pedestrian.



BR_PB2
Heavy duty push button for manual open and close.



BR_PB3
Light usage push button for manual open, stop and close.

*Product performances is based on testing in a controlled environment. Your result may vary due to several external and environment factors.



© COPYRIGHT 2022. This documentation served as a reference only. It is subject to change without further notice. All the diagrams and information in this documentation may not be duplicated or modified in any form without the written approval from the management.

© 2022 SP V1 BR430T