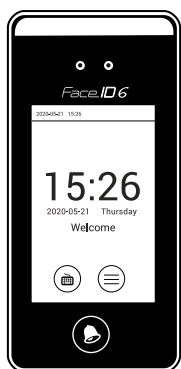


Installation Guide

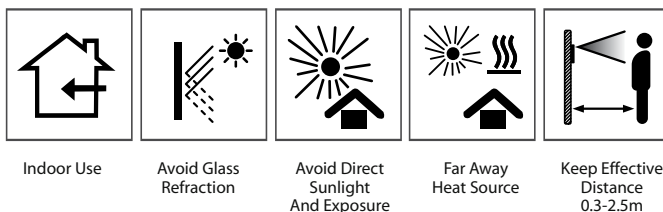


Face ID 6

Hybrid Face Recognition Access Device

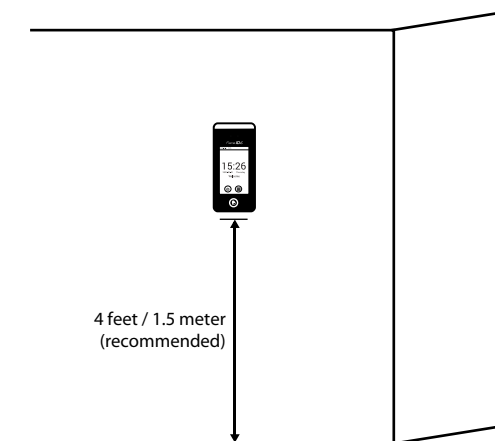
Step 1 Determine the Installation Location

- Avoid installing the terminals in locations that have contact with strong light source (e.g direct sunlight, spotlight, fluorescent light, etc)



- Avoid installing the terminals in locations with high moisture or condensation levels in the air
- The recommended installation height of the terminal from the ground to the camera is 1.5 meter.

Step 2 Mount Terminal on a Wall



1. Avoid strong sunlight
2. Install the terminal 1.5m from the ground level (measure the height from the ground to the face camera)"

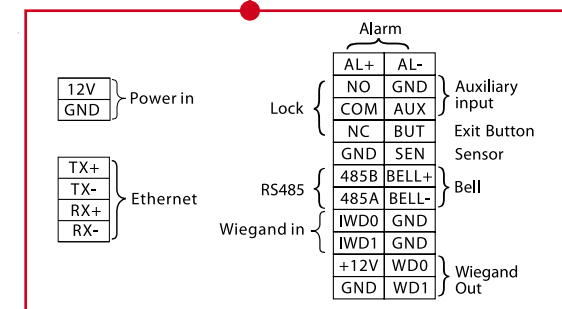
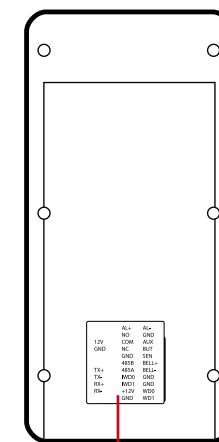
After measuring the height accordingly and make relevant markings on the wall, drill the screws into the wall to secure the back plate.

Attach the terminal to the back plate and tighten the screws.

Refer to Appendix II for dimensions and measurements of installation.

Step 3 Wiring for Power Supply

Use power cables (black and red) to connect to a linear power supply with specifications of 12VDC 3A to Power Port.



Step 4 Setting Up Data Communications

(Skip this step if you are using USB flash disk to transfer data)

The data communication ports are positioned at the rear of the terminal, please refer to the diagram shown on Step 3 to determine the wiring. Plug the communication jacks (TCP/IP) to the corresponding ports.

TCP/IP – LAN Connection

For TCP/IP connection, plug the special RJ45 jack into the TCP/IP (LAN) Port of the terminal. Connect the other end (normal RJ45 jack) to the local area network hub or a PC. Configure the device ID, IP address, subnet mask and Gateway in the terminal (refer to the hardware user manual for details).

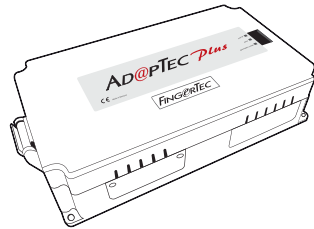
Step 5 Finalizing the installation

1. Check that all cable connections are done correctly.
2. Attach the terminal to the corresponding back plate, tighten the screws to fix the terminal on a wall.
3. Switch on the power to the terminal.
4. Start using it.

Other Accessories

Note: All Accessories are offered at <http://accessory.fingertec.com>

AdapTec Plus



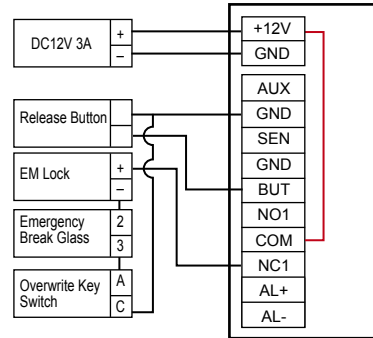
The AdapTec Plus is a 12VDC power supply inclusive of a 110~240VAC switching linear power. The AdapTec Plus supplies 12VDC power to the FingerTec terminal and door lock system as well as charges a 12VDC 7.0Ah backup battery simultaneously. During an event of a power failure, the back up battery automatically provides power to the terminal and maintains the door lock system. The AdapTec Plus also prevents a secured door from being opened if it has been tampered with.

Door Lock Accessories

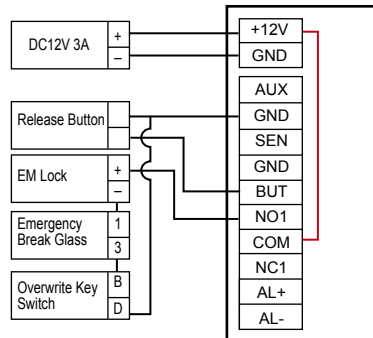
FingerTec offers various door locks accessories to complement the door access product range.

Appendix I Power Supply & Door Lock System Wiring Diagrams

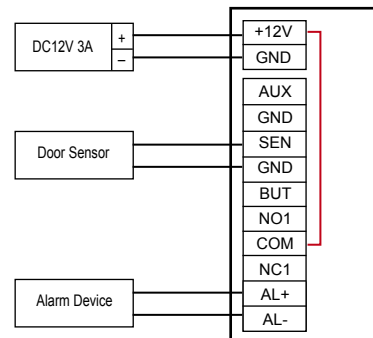
▶ Diagram 1 • Normally Close (NC)



▶ Diagram 2 • Normally Open (NO)



▶ Diagram 3 • Other Accessories



Use either Type NO or Type NC alarm device.

Door Lock Connectors	
WIRING PORT	USAGE
SEN	Door Sensor (SEN-GND)
GND	
BUT	Release Button (BUT-GND)
NO1	Dry Contact (Independent power supply for door lock) • NO type door lock (NO1-COM) • NC type door lock (NC1-COM) Power Contact (Using power from terminal to power on door lock) • NO type door lock (NO1-GND) • NC type door lock (NC1-GND)
NC1	
COM	Dry Contact (independent power supply for door lock) • NO type door lock (NO1-COM) • NC type door lock (NC1-COM) Power Contact (using power from terminal to power on door lock) • COM1 - +12V
AL+	Alarm System
AL-	

The terminal will trigger the alarm output in the following situations:

- Door forced open (A door sensor must be installed)
- Door open time out (A door sensor must be installed)
- Terminal has been illegally dismantled

Appendix II Terminal Dimensions and Measurements

