



G-SL-716

Ranger Domestic AC Sliding Gate Motor



RANGER



Ranger Sliding Gate Motor are designed to smartly control all types of residential sliding gates. Come out as innovative design, reliable operation, high performance and diversity choices.

Ranger Sliding Gate are an excellent choice for residential driveway gate automation when the site has steep grades prohibiting the use of a swing gate, or sites where there is limited space for swing gates to operate freely and where higher security is required.



Built-in Control Unit

With built-in control panel, with built in receiver, guarantees the stable and highest performance.



Key Release System

Aluminium release handle with protected lock and customized release key.



Magnetic Limit Switch

This model's sliding gates come with magnetic limit switch selection.



G-SL-716

Ranger Domestic AC Sliding Gate Motor



RANGER



Auto Close Function

Automatic closing with adjustable time delay, and push button override.



Soft Start & Slow Close

Reliable, safe performance and stable operation.



Auto Reverse on Obstacle

Smart version with auto-reverse when hitting obstacle during closing.

1,800^{KG}

Maximum Gate Weight

Maximum support gate weight up to 1,800kg

*All image and specification is subject to change without prior notice.



Technical Data	G-SL-716
Limit Switch	Magnetic
Power Supply	AC220V
Power Consumption	60Hz
Motor Power	600W
Output Torque	40N.m
Output Shaft Height	56mm
Gate Moving Speed	12.8m/min
Maximum of Remote Control	25
Frequency	433.92Mhz
Work Duty	15min
Noise	≤60dB
Working Temperature	-20°C~70°C
Maximum Gate Weight	1,800Kg

Standard Colours



Platinum Grey
(Similar to RAL7036)

Ordering Info

Model	Motor Configuration
G-SL-716-M	Magnetic Limit Switch
G-SL-716-M	



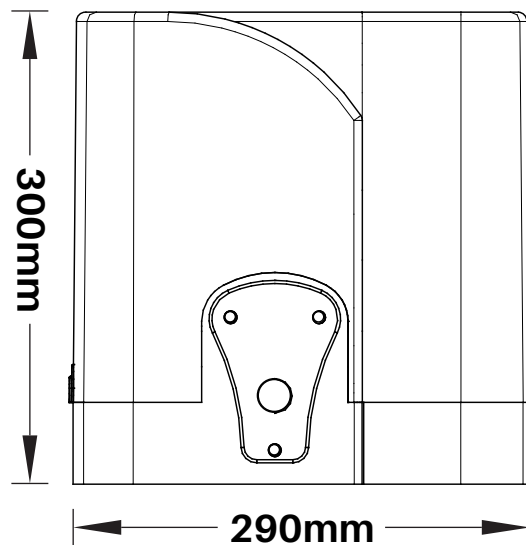
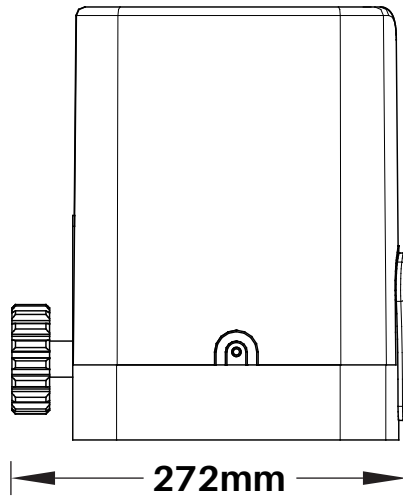
Transmitter & Receiver



Gear Rack



Base Plate (Optional)



- 1. Gate Opener
- 2. Wireless Keypad (optional)
- 3. Gate
- 4. Infrared Sensor (optional)
- 5. Alarm lamp (optional)
- 6. Safety stop block (optional)
- 7. Gear rack
- 8. Remote Control

