

Coaxial Cable • Network Cable • Coaxial Cable + Power



PVE *Cables*

*Connecting You To A
Whole New World Of Visual*



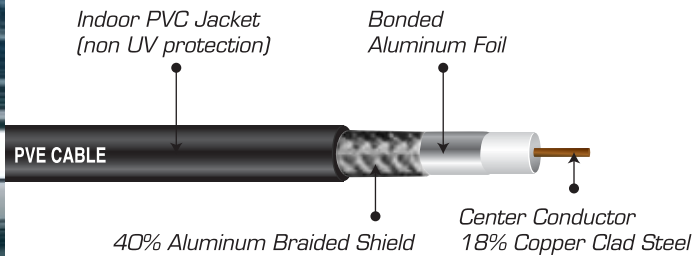
www.pve.com.my

Coaxial Cable

6523 RG59, Indoor, 1.0GHz, 305m

Specification

- Non UV-protection PVC jacket
- Center Conductor : 0.81 +/- 0.005mm
- Dielectric : 3.66 +/- 0.05mm Foam PE
- Shield : Bonded Aluminum Foil
- Braid: 0.12mm/40% covered Aluminum Braid
- Impedance 75 +/- 3 Ohm
- Capacitance : 54 +/- 3 F/m
- Velocity Propagation : 85%
- Sparker Test : 3KV



Attenuation @ 68°F (20°C)

Frequency (MHz)	Maximum (dB/100m)
55	6.73
300	13.60
450	11.72
600	20.34
750	22.87
865	24.67
1000	26.64

Packing

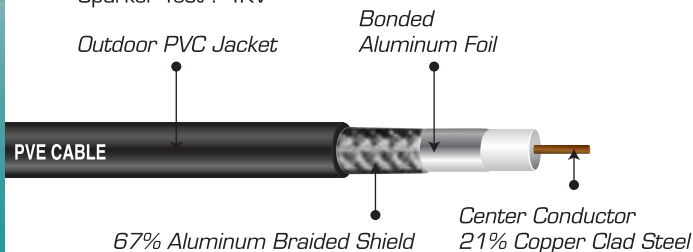
- Wood Drum with PE Wrapping
- Weight : 11kg
- Size : 300mm (ø) X 230mm (H)



6543 RG59, Outdoor, 2.2GHz, 305m

Specification

- Grade 1 PVC Jacket for max. UV protection
- Center Conductor : 0.81 +/- 0.005mm
- Dielectric : 3.66 +/- 0.05mm Foam PE
- Shield : Bonded Aluminum Foil
- Braid: 0.16mm/67% covered Aluminum Braid
- Impedance 75 +/- 3 Ohm
- Capacitance : 54 +/- 3 F/m
- Velocity Propagation : 85%
- Return Loss : 20dB
- Sparker Test : 4KV



Attenuation

Frequency (MHz)	Maximum (dB/100m)
10	2.92
50	5.49
100	8.13
200	11.25
400	16.01
1000	25.95
2250	39.62

Packing

- Drum + Reel with Full Colour Paper Box
- Weight : 11.4kg
- Size : 333mm X 320mm X 270mm (H)

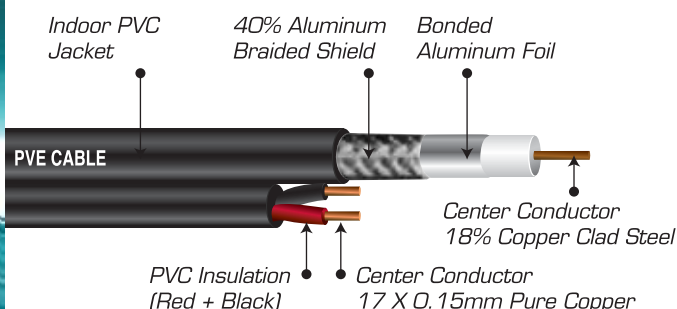


Coaxial Cable + Power

6531 RG59+Power Cable, Indoor, 1GHz, 100m

Specification

- Non UV-protection PVC jacket
- Center Conductor : 0.81 +/- 0.005mm
- Dielectric : 3.66 +/- 0.05mm Foam PE
- Shield : Bonded Aluminum Foil
- Braid : 0.12/40% covered Aluminum Braid
- Impedance 75 +/- 3 Ohm
- Capacitance : 54 +/- 3 F/m
- Velocity Propagation : 85%
- Sparker Test : 3KV
- Power Cable : 17 x 0.15mm Diameter Pure Copper



Attenuation @ 68°F (20°C)

Frequency (MHz)	Maximum (dB/100m)
55	6.73
300	13.60
450	11.72
600	20.34
750	22.87
865	24.67
1000	26.64

Voltage Drop @ 12 VDC

Current (Load)	VDC/100m
100mA	0.5V
200mA	1.0V
300mA	1.5V
500mA	2.5V

Packing

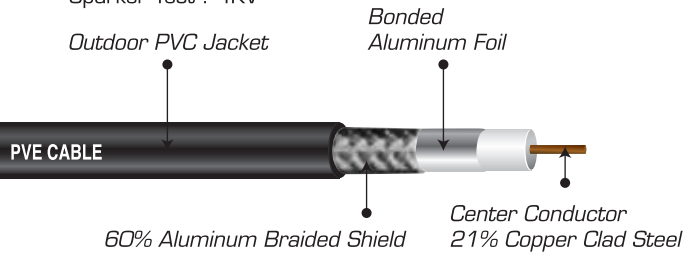
- PE Wrapping
- Weight : 5.5kg
- Size : Diameter 290mm X 100mm (H)



6643 RG6, Indoor, 3GHz, 305m

Specification

- Grade 1 PVC Jacket for max. UV protection
- Center Conductor : 1.02 +/-0.005mm
- Dielectric : 4.57 +/-0.05mm Foam PE
- Shield : Bonded Aluminum Foil
- Braid : 0.16/60% covered Aluminum Braid
- Impedance 75 +/-3 Ohm
- Capacitance : 54 +/-3 F/m
- Velocity Propagation : 85%
- Return Loss : 20dB
- Sparker Test : 4KV



Attenuation

Frequency (MHz)	Maximum (dB/100m)
5	1.90
55	5.25
300	11.64
1000	21.49
1450	26.19
2250	34.03
3000	37.50

Packing

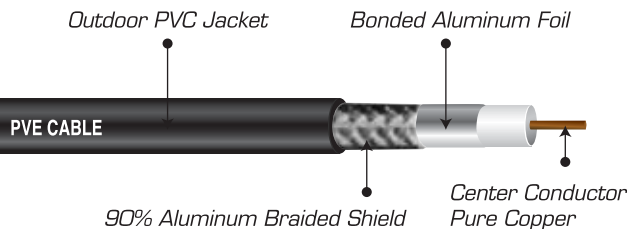
- Drum + Reel with Full Colour Paper Box
- Weight : 14.6kg
- Size : 333mm X 328mm X 325mm (H)



6675 RG6, Outdoor, 3GHz, 500m

Specification

- Center Conductor : 1.02±0.01 Bare Solid Copper
- Dielectric : 4.57±0.05mm Foam PE
- Shield : Bonded AL Foil
- Braid : 90%: 112/0.16 Aluminum
- Jacket : 6.90±0.10mmPVC
- Impedance 75 +/-3 Ohm
- Capacitance : 54 +/-3 F/m
- Velocity Propagation : 85%
- Return Loss : 20dB
- Sparker Test : 4KV



Attenuation

Frequency (MHz)	Maximum (dB/100m)
5	1.90
50	4.90
100	6.50
200	9.20
400	13.10
700	18.40
1000	21.60
1450	26.20
1800	27.90
2100	31.10

Packing

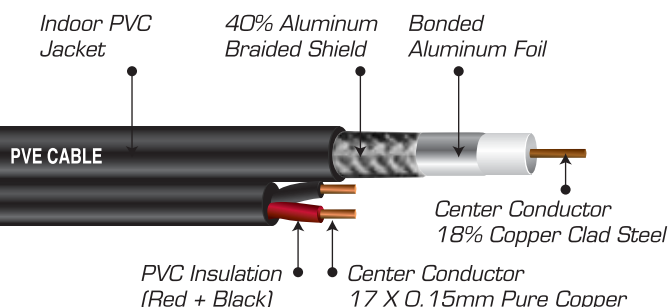
- Drum with Full Colour Paper Box
- Weight : 23kg
- Size : 370mm X 365mm X 315mm (H)



6532 RG59+Power Cable, Indoor, 1GHz, 200m

Specification

- Non UV-protection PVC jacket
- Center Conductor : 0.81 +/- 0.005mm
- Dielectric : 3.66 +/- 0.05mm Foam PE
- Shield : Bonded Aluminum Foil
- Braid : 0.12/40% covered Aluminum Braid
- Impedance 75 +/- 3 Ohm
- Capacitance : 54 +/- 3 F/m
- Velocity Propagation : 85%
- Sparker Test : 3KV
- Power Cable : 17 x 0.15mm Diameter Pure Copper



Attenuation @ 68°F (20°C)

Frequency (MHz)	Maximum (dB/100m)
55	6.73
300	13.60
450	11.72
600	20.34
750	22.87
865	24.67
1000	26.64

Voltage Drop @ 12 VDC

Current (Load)	VDC/100m
100mA	0.5V
200mA	1.0V
300mA	1.5V
500mA	2.5V

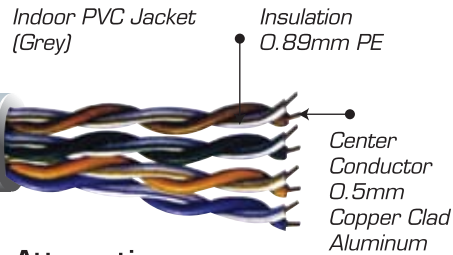
Packing

- PE Wrapping
- Weight : 11kg
- Size : Diameter 290mm X 200mm (H)



Network Cable

5543 Indoor, CAT5e, 305m



Specification

- 24AWG CCA 4 Pair Network Cable
- Center Conductor : 0.5mm CCA
- Insulation : 0.89mm PE
- Jacket : 5.08mm PVC
- Storage Temperature : -20°C ~ +75°C
- Operating Temperature : 0°C ~ +60°C
- Max. Pulling Tension : 25lbs
- Min. Bend Radius : 0.8mm
- Capacitance : 14pF/ft
- Propagation Velocity : PE=71%
- Conductor DCR = 9 Ohm/100m
- Pair 1 Blue / Blue White
- Pair 2 Orange / Orange White
- Pair 3 Green / Green White
- Pair 4 Brown / Brown White

Attenuation

Attenuation @ 68°F (20°C)			
MHz#	Max. (dB/)	MHz#	Max. (dB/)
0.772	1.8	20.0	9.2
1.0	2.0	25.0	10.4
4.0	4.0	31.25	11.7
8.0	5.8	62.5	17.0
10.0	6.5	100.0	22.0
16.0	8.2		

Return Loss

Return Loss @ 68°F (20°C)			
MHz#	Max. (dB/)	MHz#	Max. (dB/)
0.772	NA	20.0	25.0
1.0	20.0	25.0	24.3
4.0	23.0	31.25	23.6
8.0	24.5	62.5	21.5
10.0	25.0	100.0	20.1
16.0	25.0		

Electrical Performance @ 68°F (20°C)

Frequency MHz	Pair to Pair			Power Sum		
	Next (dB/) Min.	ELFEXT (dB/) Min.	ACR (dB/) Min.	Next (dB/) Min.	ELFEXT (dB/) Min.	ACR (dB/) Min.
0.772	70.0	69.0	68.2	67.0	66.0	65.0
1.0	68.3	66.8	66.3	65.3	63.8	63.3
4.0	59.3	54.7	55.2	56.3	51.7	52.2
8.0	54.8	48.7	49.0	51.8	45.7	47.0
10.0	53.3	46.8	46.8	50.3	43.8	43.8
16.0	50.3	42.9	42.0	47.3	39.7	39.0
20.0	48.8	40.7	39.5	45.8	37.7	36.5
25.0	47.3	38.8	36.9	44.3	35.8	33.9
31.25	45.9	36.9	34.2	42.9	33.9	31.2
62.5	41.4	30.8	24.4	38.4	27.8	21.4
100.0	38.3	26.8	16.3	35.3	23.8	13.3

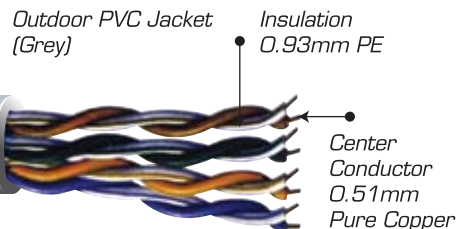
Frequency (MHz)



Packing

- Drum + Reel with Full Color Paper Box
- Weight : 7.5kg
- Size : 350mm X 205mm X 350mm (H)

5583 Outdoor FTP, CAT5e, 305m



Specification

- 24AWG Pure Copper 4 Pair Network Cable
- Center Conductor : 0.51mm Copper
- Insulation : 0.93mm±0.02mm PE
- Jacket : 5.08mm PVC±0.05mm PVC
- Storage Temperature : -20°C ~ +75°C
- Operating Temperature : 0°C ~ +60°C
- Max. Pulling Tension : 25lbs
- Min. Bend Radius : 0.8mm
- Capacitance : 14pF/ft
- Propagation Velocity : PE=71%
- Conductor DCR = 9 Ohm/100m
- Pair 1 Blue / Blue White
- Pair 2 Orange / Orange White
- Pair 3 Green / Green White
- Pair 4 Brown / Brown White

Attenuation

Attenuation @ 68°F (20°C)			
MHz#	Max. (dB/)	MHz#	Max. (dB/)
0.772	1.8	20.0	9.2
1.0	2.0	25.0	10.4
4.0	4.0	31.25	11.7
8.0	5.8	62.5	17.0
10.0	6.5	100.0	22.0

Return Loss

Return Loss @ 68°F (20°C)			
MHz#	Max. (dB/)	MHz#	Max. (dB/)
0.772	NA	20.0	25.0
1.0	20.0	25.0	24.3
4.0	23.0	31.25	23.6
8.0	24.5	62.5	21.5
10.0	25.0	100.0	20.1

Frequency (MHz)

Electrical Performance @ 68°F (20°C)

Frequency MHz	Pair to Pair			Power Sum		
	Next (dB/) Min.	ELFEXT (dB/) Min.	ACR (dB/) Min.	Next (dB/) Min.	ELFEXT (dB/) Min.	ACR (dB/) Min.
0.772	70.0	69.0	68.2	67.0	66.0	65.0
1.0	68.3	66.8	66.3	65.3	63.8	63.3
4.0	59.3	54.7	55.2	56.3	51.7	52.2
8.0	54.8	48.7	49.0	51.8	45.7	47.0
10.0	53.3	46.8	46.8	50.3	43.8	43.8
16.0	50.3	42.9	42.0	47.3	39.7	39.0
20.0	48.8	40.7	39.5	45.8	37.7	36.5
25.0	47.3	38.8	36.9	44.3	35.8	33.9
31.25	45.9	36.9	34.2	42.9	33.9	31.2
62.5	41.4	30.8	24.4	38.4	27.8	21.4
100.0	38.3	26.8	16.3	35.3	23.8	13.3



Packing

- Drum + Reel with Full Color Paper Box
- Weight : 11kg
- Size : 350mm X 205mm X 350mm (H)

Authorised Dealer:



Professional Video Equipment

PVE and PVE logo are registered trademarks. All rights reserved.
Note: All specifications may change without prior notice.

