

# RG-AT20S

Ranger Automatic Swing Door Operator



RANGER



Ranger automatic swing door operator are easy installed, durable, reliable performance, safe and low noise operation. You can transform your any door rapidly into an automatic swing door without complication. Range automatic swing door also able to increase convenience and provide barrier-free access for the disabled too.

Ranger automatic swing door operator highly recommend for application at your living space, working environment etc to make your place more securely.



### Intensive Use

Ideal for use on residential, apartment buildings & public entrances.



### Inward / Outward Selection

With inward or outward 2 choices selection based on site requirements.



### Interlock Safety

Emergency power supply can be configured to meet security requirements. Can realize the interlocking function between door and door.



# RG-AT20S

Ranger Automatic Swing Door Operator



RANGER



## Low Operating Noise

Reliable performance, silent and stable operation.



## Interlocking Function

Emergency power supply can be configured to meet security requirements and realize the interlocking function between door and door.

KG  
**100**

## Maximum Gate Weight

Optimum range gate weight support 80kg  
maximum support gate weight up to 100kg.

\*All image and specification is subject to change without prior notice.



Technical Data	RG-AT20S-I	RG-AT20S-O
Door Configuration	Inward	Outward
Voltage	110~220V±10%	
Power Consumption	50W	
Opening Time	3~7s/90°	
Hold Open Time	1~30s	
Max. Door Frame Depth	450mm	
Door Width	Min.600mm/Max.1200mm	
Max. Opening Angle	120°	
Environment Temp.	-20°C~+50°C	
Protection Class	IP12D	
Item Weight	6.5kg	
Dimension	L515xH95xW90mm	
Door Weight Support	Optimum Range : 80kg ; Maximum 100kg	

## Standard Colours



White Aluminium  
(Similar to RAL9003)

## Ordering Info

Model	Door Configuration
RG-AT20S-I	Inward
RG-AT20S-O	Outward

RG-AT20S-I/O    Inward/Outward



Wireless Push Button

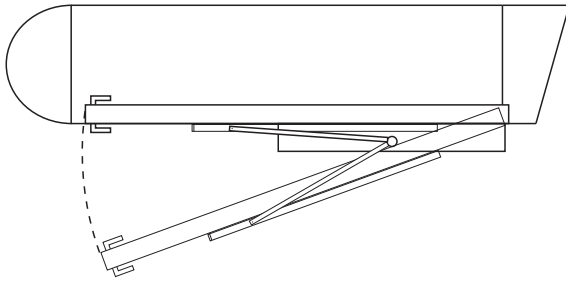
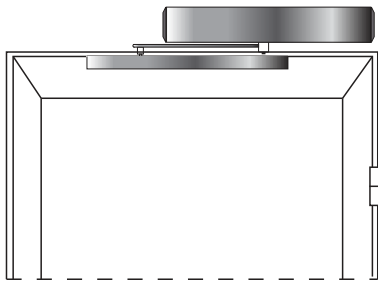


Safety Beam Sensor

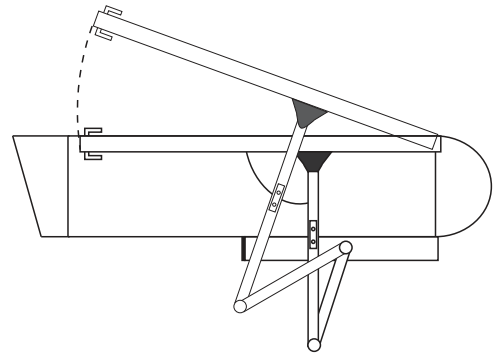
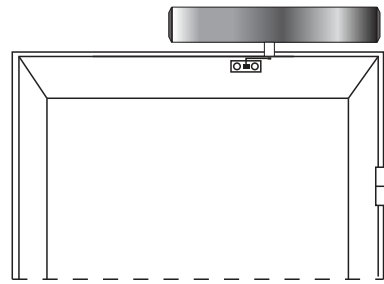
Installation Diagram

\*All specification is subject to change without prior notice.

Pull Arm (Inward)



Push Arm (Outward)



Dimension Drawings (mm)

\*All specification is subject to change without prior notice.

