



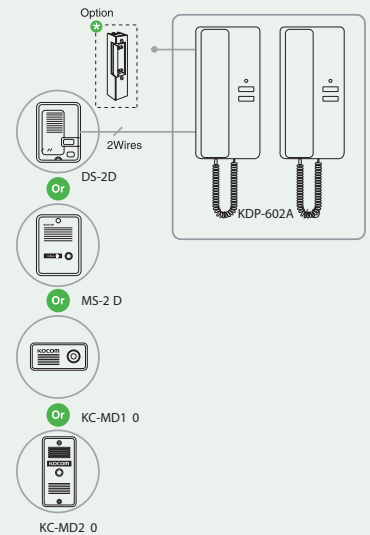
[DP-KDP-602A/D]

- Triplex interphone & doorphone
- Up to 3 audio handset with 1 outdoor panel connection
- Audio conversation with visitor
- Door open function
- Internal call & conversation with extended units
- Gentle electronic sound (seperate call sound)
- Easy installation (mount on the wall or desk)

Specifications

Model no.	KDP-602A/D
Power	AC110V or AC220V (±10%)
Power consumption	Max. 150mA
Assurance temperature	0°C~+50°C
Wiring & call sound	Door : 2wires, Chime Audio handset : 5wires, Melody
Max. wiring distance	Ø0.65 single cable : 300m, 5C-2V coaxial cable : 500m
Mount type	Surface mount
Dimension (mm)	92(W) x 210(H) x 57(D)
Weight (Approx.)	0.5kg (1pc)

Diagram



[DS-2D]

Specifications

Power	Power from of Interphone/Doorphone
Wiring	2 Wire non-polar
Mount type	Surface mount
Dimension (mm)	99(W) X 131(H) X30(D)



Dimension

