

# GULLIVER/N

Automation for industrial sliding gates up to  
3000 Kg



For industrial usage



Available with single-  
phase or three-phase  
motor 230V



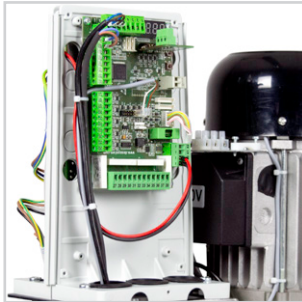
# GULLIVER/N



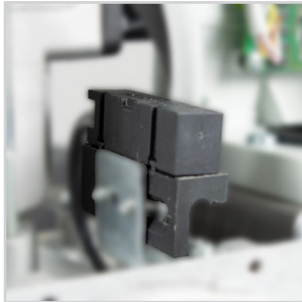
Operator with encoder technology and forced ventilation for intensive use



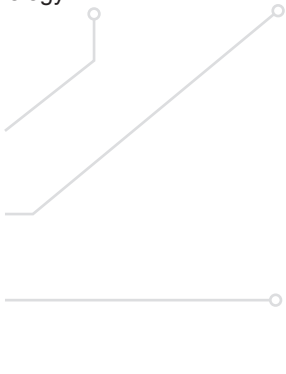
Easy depth adjustment and compatibility even on old installations with GULLIVER



More speed and more control thanks to the new NET230-EVO-I control board with integrated inverter technology.



Magnetic limit switch

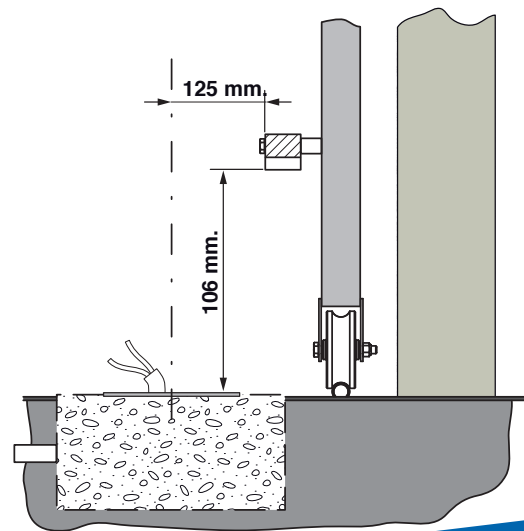
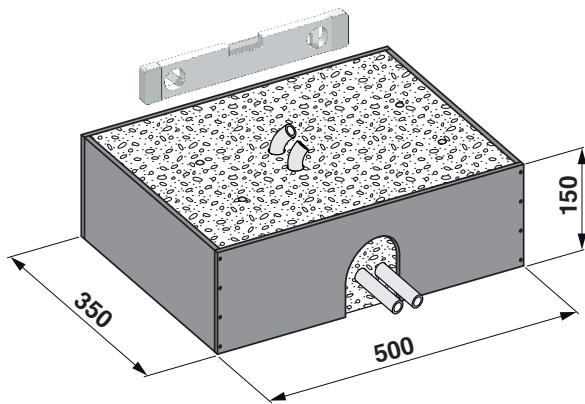
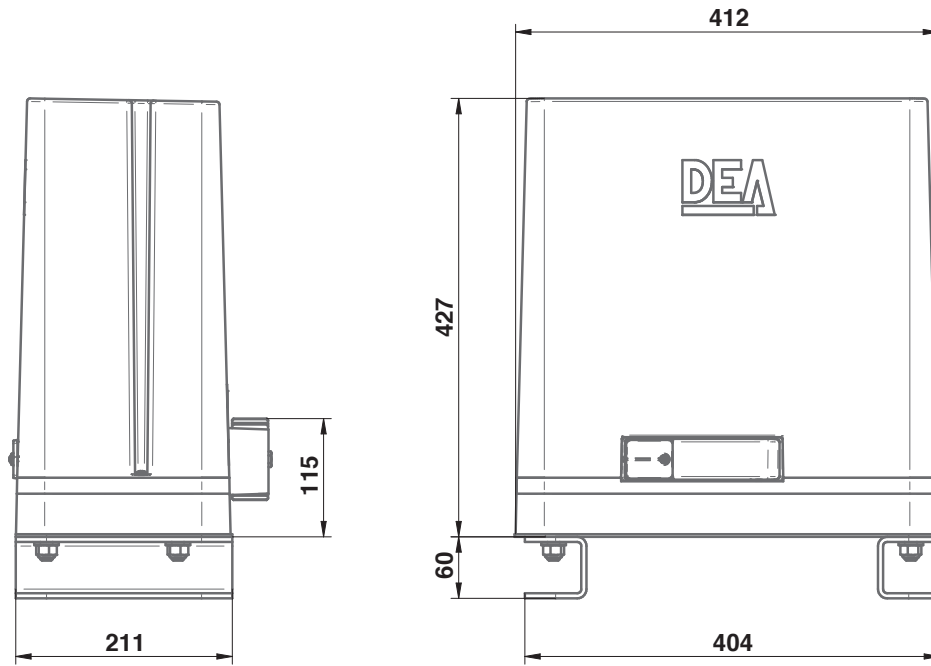


Front control board, with transparent cover and visible display, with stand that can rotate up to 120°.



Metal mechanics and steel and bronze gears for maximum performance and durability

## Dimensions



**DEA**  
move as you like

**HEADQUARTER**  
**DEA SYSTEM S.p.A.**  
Via della Tecnica, 6 - 36013 Piovone Rocchette (VI) - ITALY  
☎ + 39.0445.55.07.89 - 📠 + 39.0445.55.02.65  
info@deasystem.com - www.deasystem.com

**Branches >** Italia, France, United Kingdom, Ireland, España,  
Portugal, Polska, Deutschland, Беларусь

**> HEAD OFFICE**  
**DEA System UK & IRE**  
Sandholes Road - Cookstown - Co. Tyrone  
BT80 9AR - IRELAND  
☎ + 44 (0)28 8676 6476 - 📠 + 44 (0)28 8676 2414  
info@deasystem.net

**DEA System UK & IRE**  
Unit 29-31 - The IO Centre - Hearle Way - Hatfield -  
Hertfordshire AL10 9EW - UNITED KINGDOM  
☎ + 44 (0)1707 246 599  
contact@deasystem.net