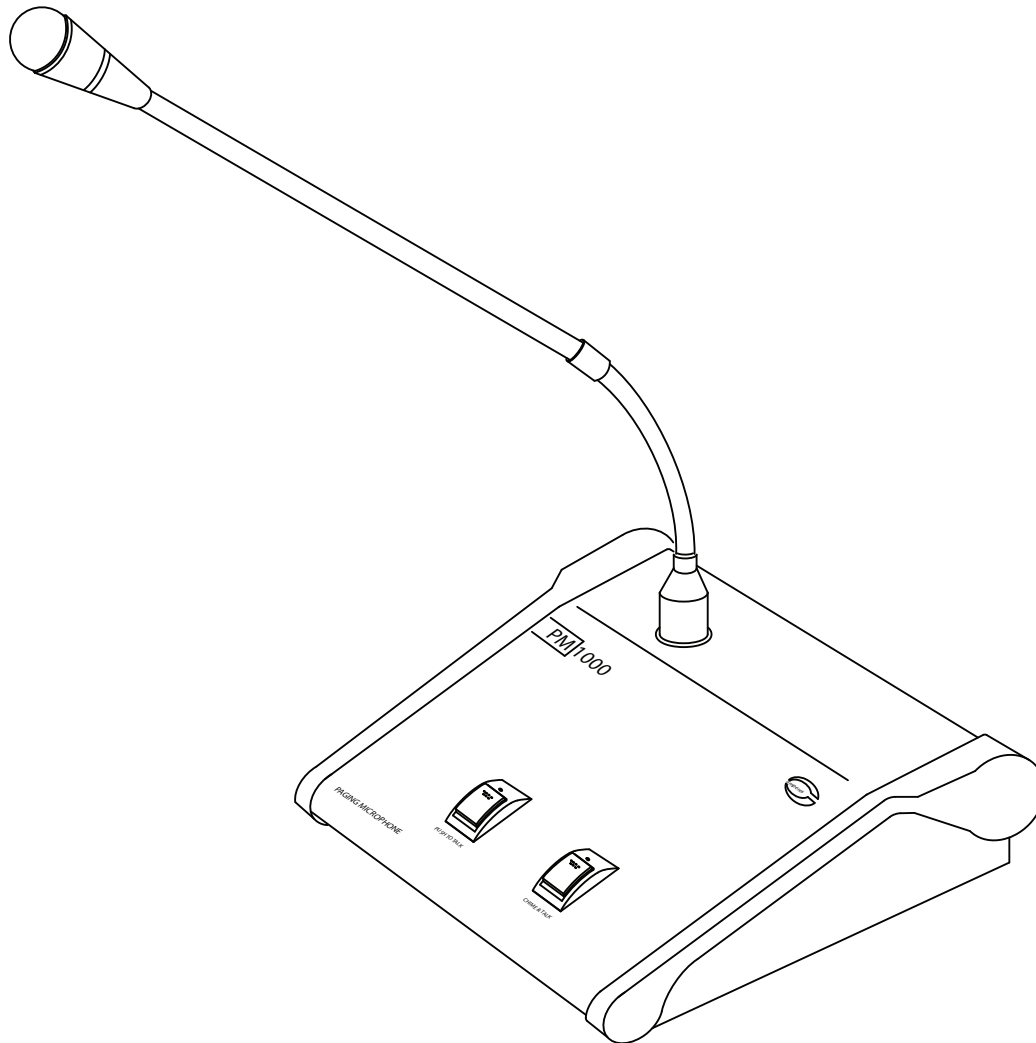




INSTRUCTION MANUAL

PM1000

Paging Microphone with Chime



Thank you for choosing another quality product from Amperes Electronics.

PM1000 is a simple, elegant and user friendly paging desk with built in chime, suitable for any paging installations. This is a further refined version to cater for broader demands in various systems, among the features include balanced audio output for long distance paging, selectable mic or line output level and improved gooseneck mic.

Please read further and we are sure that you shall find this product is an ideal solution to your system.

Parts Identifications

1. GOOSENECK MICROPHONE

This is a detachable gooseneck condenser mic and illuminated ring with cardioid pick up pattern.

2. TALK SWITCH

The momentary direct talk switch activates the mic without pre-announcement chime

3. CHIME AND TALK SWITCH

A 4 tone chime shall be broadcasted when the switch is pressed once and a downward 4 tone chime follows when the unit is switched off.

4. DRY CONTACT

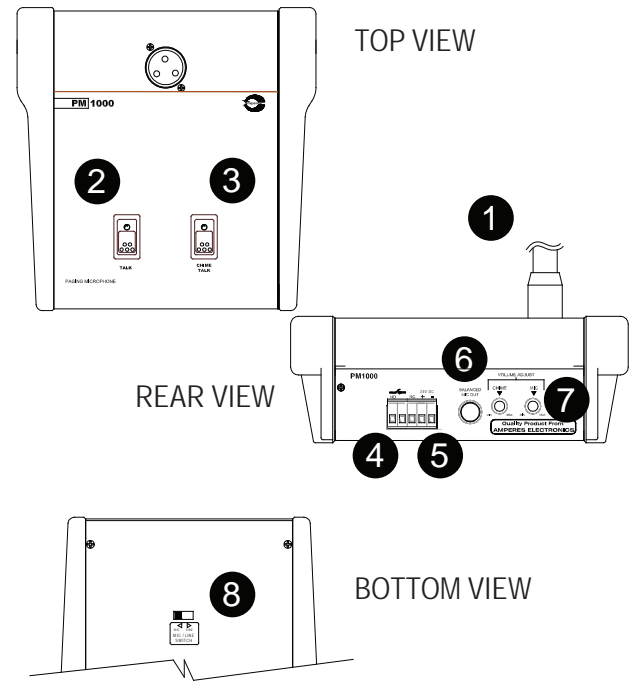
When mic is active, a dry contact is available and is useful for various applications, such as to trigger emergency ALL CALL.

5. POWER INPUT

The unit operates using 24V DC supply. A power adaptor is provided in the package.

6. AUDIO OUTPUT JACK

Output is balanced with either line or mic level which can be selected from the switch located at the bottom of the unit.



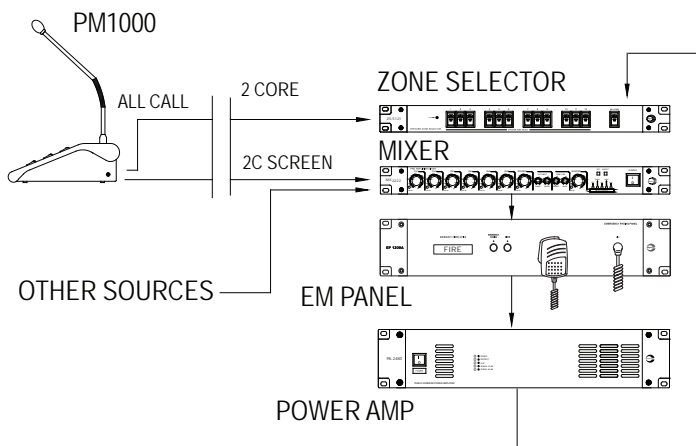
7. CHIME & MIC LEVEL CONTROL

Individual control for chime and mic output level to suit the installation environment.

8. MIC / LINE SWITCH

Output level from the unit can be preselected with either mic (0.775V) or line level (1.2 V).

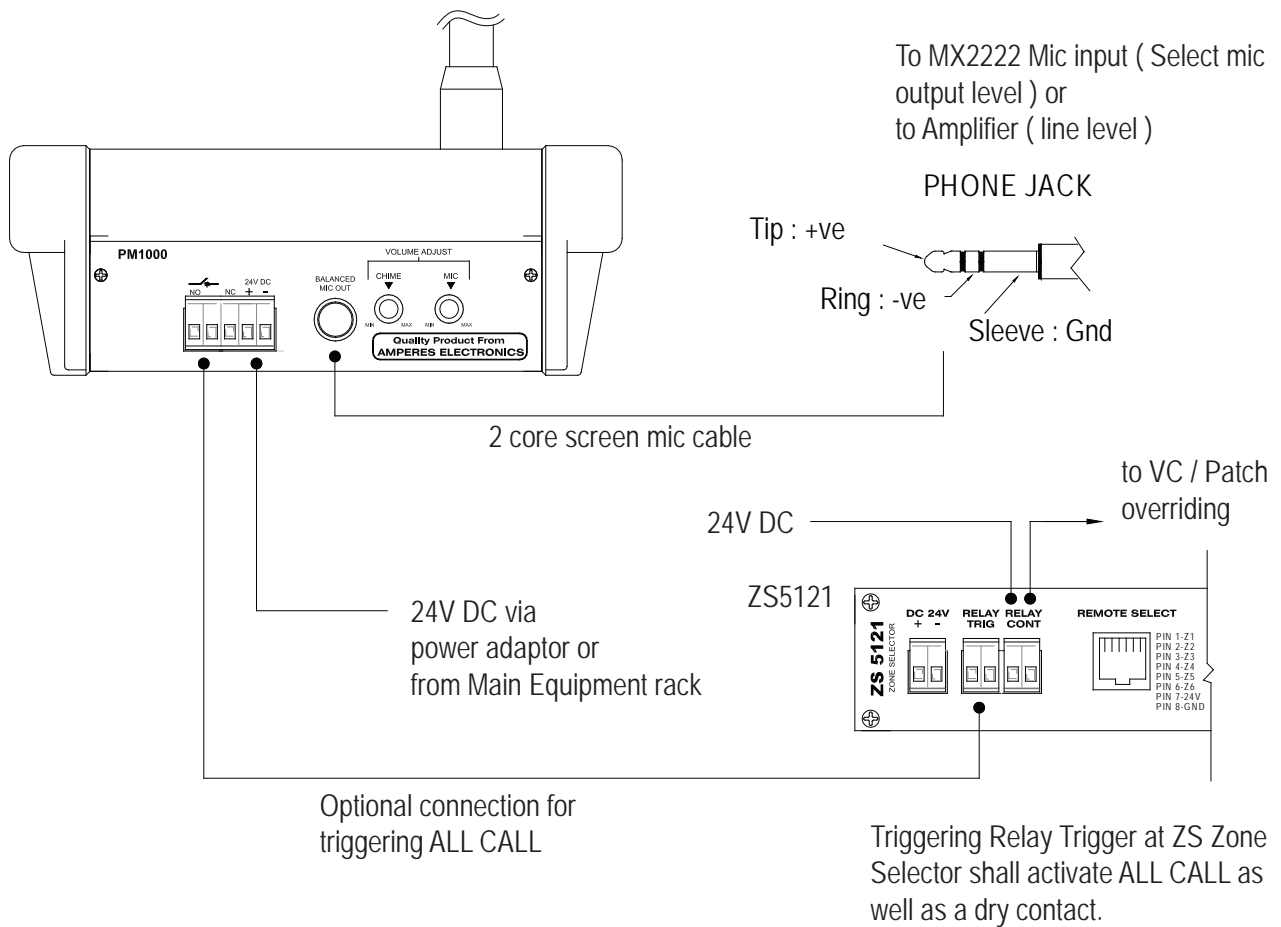
Application Schematic



ALL CALL connection from PM1000 to Zone Selector is optional.

Select the correct PM1000 output level when connecting it to the Mixer input.

Connecting the Unit



Technical Data

System	Condenser mic, cardioid
Output impedance	Line: 470 Ohm \pm 10% Mic: 33 Ohm \pm 10%
Output level	Mic / Line selectable ; balanced
Output level controls	Chime and Mic
Chime	4 tone (up and down)
Frequency response	50Hz - 8kHz (\pm 3dB)
S/N ratio	80dB \pm 10% @ 1kHz
Indicators	Chime active, Ready to talk, Gooseneck mic ring
Power supply	24V DC
Power consumption	1.2W / 50 mA
Output connection	1/4" stereo phone jack
Operating distance (controls)	100 m
Max output distance (audio)	300 m via 18 awg 2c screen cable
Mic Gain	20dB \pm 10%
Dimensions	150W x 186D x 62H mm (excl.mic)
Gooseneck mic length	400 mm
Weight	800 gms

Warranty Conditions

Only Amperes Electronics Service Centres are allowed to make warranty repairs : a list of Amperes Electronics Service Centres may be asked for by the purchaser or send directly to Amperes Electronics Sdn Bhd at 70 Jalan Industri PBP 3, Tmn Perindustrian Pusat Bandar Puchong, 47100, Puchong, Selangor, Malaysia or its authorized master distributor, TNT Links Sdn Bhd / MyPA Systems Sdn Bhd. This warranty is not valid if repairs are performed by unauthorized personnel or service centres.

This warranty covers only repairs and replacement of defective parts ; cost and risks of transportation as well as removal and installation of the product from the main system are for the account of the purchaser. This warranty shall not extend to the replacement of the unit.

This warranty does not cover damages caused by misuse, neglect, accident of the product as well as using the product with power supply voltage other than shown on the product, or any other power supply source / adaptor not recommended by the manufacturer.

This warranty does not cover damages caused by fire, earthquakes, floods, lightning and every cause not directly related to the unit.

This warranty does not include any indemnity in favor of the purchaser or the dealer for the period out of use of the unit; moreover the warranty does not cover any damages which may be caused to people and things when using the product.

This warranty certificate is valid only for the described product, and is not valid if modifications are made on this certificate or on the identification label applied on the product.

This warranty covers all the material and manufacturing defects and is valid for a period of 12 months from the date of purchase or for a longer period in countries where this is stated by a national law. In this case, the extension is valid only in the country where the product is purchased.

Amperes Electronics Sdn Bhd is not obliged to modify previously manufactured products under warranty if the design changes or improvements are made.

Disclaimer

Information contained in this manual is subject to change without prior notice and does not represent a commitment on the part of the vendor. AMPERES ELECTRONICS SDN BHD shall not be liable for any loss or damages whatsoever arising from the use of information or any error contained in this manual.

It is recommended that all services and repairs on this product be carried out by AMPERES ELECTRONICS SDN BHD or its authorized service agents.

AMPERES series must only be used for the purpose they were intended by the manufacturer and in conjunction with this operating manual.

AMPERES ELECTRONICS SDN BHD cannot accept any liability whatsoever for any loss or damages caused by service, maintenance or repair by unauthorized personnel, or by use other than that intended by the manufacturer.



ISO 9001: 2008
Design & Manufacture of Public Address Equipment and Systems
Certificate No. 16895 / A / 0001 / UK / En



AMPERES ELECTRONICS SDN BHD
MADE IN MALAYSIA
Published : June 2014