

EMCS-922S Ceiling Speaker

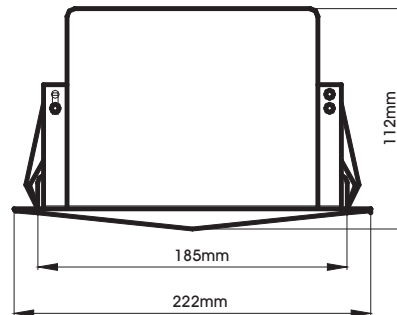


Features

- > Made of high-class steel and formed by stamping
- > Equipped with wire leading case which is fireproof
- > 70/100V, 8/15W with multiple terminals, suited for different field
- > Max. Sound Pressure Level 94dB, Frequency Response 130Hz ~ 20kHz;
- > Weight 5.02 kg. Equipped with clamps for mounting convenient
- > Waterproof driver, high sensitivity (88dB), long life, clear and sonorous sound

Model	EMCS-922S
Full-range Speaker / HF Driver	4" + 1"
Normal Power	8W
Max Power	15W
Line Voltage	70 - 100V
Sensitivity (1m, 1W)	88dB
Max Sound Pressure Level (1m)	94dB
Frequency Response	130 - 20,000 Hz
Hole for Mounting	185mm
Dimensions (H x W x L)	112 x ø222mm
Weight	2.0kg

Dimensions



Installation

