

SC series

Warning Light & Electric Horn Combinations



SC series can combine all of our warning light and electric horn products into a single combination model depending on your specific needs

SC1

The budget model of small-sized warning light and electric horn combinations

- Protection rating : IP44

Specification for Standard Model

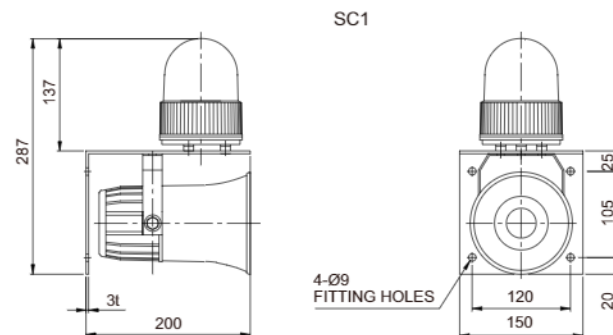
- Standard combination includes S100R products combination with SRN (same as pictured to the left)

Technical Diagram

(Units : mm)



SC1



Customization

- Warning light : Select one from S100 series (Please refer to page 63-69) for the combination
- Electric horn : Select one from SN, SRN, SEN15/ 25 (Please refer to page 383-384) for the combination

SC2

Most commonly used standard-sized warning light and electric horn combination model

- Protection rating : IP44

Specification for Standard Model

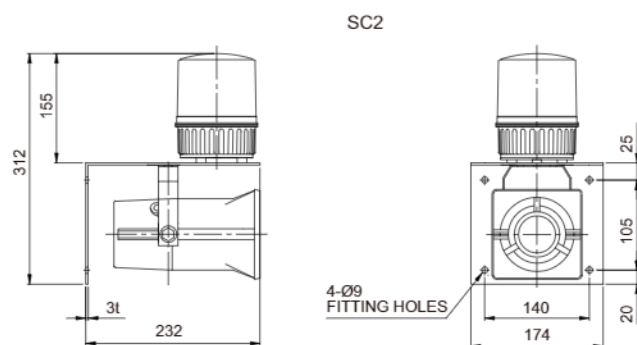
- Standard combination includes S125U products combined with the SEN15 (Same as pictured to the left)

Technical Diagram

(Units : mm)



SC2



Customization

- Warning light : Select one from S125 series (Please refer to page 70-76) for the combination
- Electric horn : Select one from SN, SRN, SEN15/25 (Please refer to page 383-384) for the combination



SC series

Warning Light & Electric Horn Combinations



SC3

Waterproof, dustproof type warning light and electric horn combinations

- Protection rating : IP56

Common Specifications

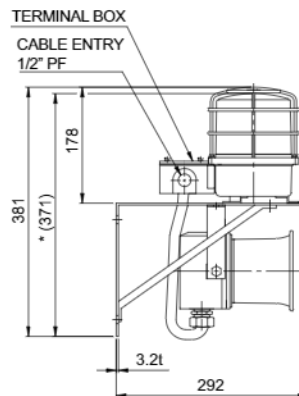
- Combination of SH1-2T and signal horn SEWN30L(Same as pictured to the left)

Technical Diagram

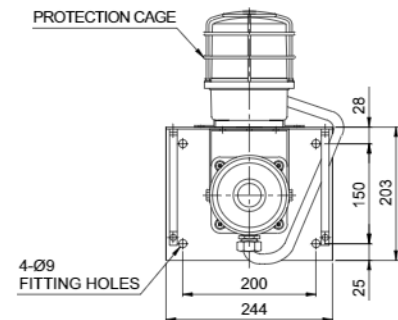
(Units : mm)



SC3



SC3



* (371) represents SC3 size without protection cage.

Customization

- Warning light : Select between models SH1P-2T and SH2P-2T series (Please refer to page 153-159)
- Electric horn : Choose one model among SEWN30L/50L, SEHN25 and SEHN50 (Please refer to page 179-174)
- Stainless steel bracket

Standard Model Number

| | | | | |
|---|---|--|---|---|
| SC1 | - | 220 | - | R |
| [Model number] | | [Voltage] | | [Color] |
| <ul style="list-style-type: none"> • SC1 (S100R+SRN) • SC2 (S125U+SEN15) • SC3 (SH1P-2T+SEWN30L) | | <ul style="list-style-type: none"> • 12-DC12V • 24-DC24V • 110-AC110V • 220-AC220V | | <ul style="list-style-type: none"> • R-Red • A-Amber • G-Green • B-Blue |

Ordering Specification

| | | | | | | | | | | | |
|---|---|---|--|---|--|----------------|---|-----------|---|---|------------|
| SC3 | - | (SH1P-2T | - | R | + | SEWN30L | - | WS |) | - | 220 |
| [Model number] | | [Light type] | | [Color] | | [Horn type] | | [Sound] | | | [Voltage] |
| <ul style="list-style-type: none"> • SC1 • SC2 • SC3 | <ul style="list-style-type: none"> • Select 1 model among S100 series • Select 1 model among S125 series • Select 1 model among SH1P-2T and SH2P-2T series | <ul style="list-style-type: none"> • R-Red • A-Amber • G-Green • B-Blue | <ul style="list-style-type: none"> • Select 1 model among SN, SRN and SEN15/25 • Select 1 model among SRN and SEN15/25 • Select 1 model among SEWN30L/50L and SEHN25/50 | <ul style="list-style-type: none"> • WS -Warning sounds • WP -Special warning sounds • WM -Melodies • WA -Alarms • WV -Customizable voices | <ul style="list-style-type: none"> • 12-DC12V • 24-DC24V • 110-AC110V • 220-AC220V | | | | | | |

* Light sources can be selected among LED revolving, LED steady/flashing, xenon strobe and bulb revolving type.