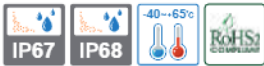


QL98 series

Water and Vibration LED Work Lights with IP67/ IP68K Protection



Water / Dust proof high brightness LED work light that resists against severe storm and heavily dusty environment



Common Specifications(QL98 series)

- Water / Dust proof LED work light that resists against severe storm and heavily dusty environment
- IP67/ IP68 protection rating, waterproof & dust resistant model that can be used where dusty and flooded area
- Polycarbonate lens allows excellent vibration and impact resistance.
- Long lifetime with a high intensity LED light source allows for easy maintenance
- Excellent durability that is suitable for harsh environment such as an excavator, crane, and off-road vehicle
- Materials : Housing: Al, Lens : PC
- Certificates : CE

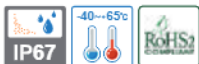


Test Conditions/ Regulations

Vibration Resistance Test	<ul style="list-style-type: none"> • Acceleration : 20m/s² • Duration : 1 octave/min • Range of frequency : 10-150Hz • Amplitude : 10 times maximum 7.5mm, direction : test 10times in 3 directions(X, Y, Z)
Shock Resistance Test	<ul style="list-style-type: none"> • Acceleration : 20g • Directions : ±X, ±Y, ±Z • Numbers : 3 times each directions • Time period : 11ms for each direction • Waveform : Half sine
Solid Particle Protection Test(IP6X)	<ul style="list-style-type: none"> • After reducing the pressure inside the test object, spray talcum powder with a nominal diameter of 50um for 2 hours at 40-60meters/hour inside the dust chamber. • IEC60529
Liquid Ingress Protection Test(IPX7)	<ul style="list-style-type: none"> • Test ingress by putting the object under 1000mm water with 2bar of pressure for 30 mins
Liquid Ingress Protection Test(IPX8)	<ul style="list-style-type: none"> • Much more strict than IPX7 protection rating and there must be an agreement between manufacturer and customer

QL9800E series

Water and Vibration LED
Work Lights with IP67 Protection



QL9800E-1S



QL9800E-2S



QL9800E-4S



QL9800E-5S



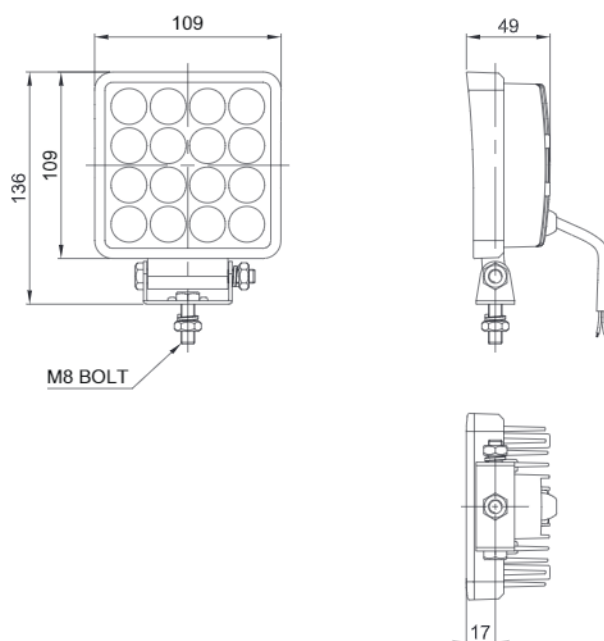
Common Specifications

Optics Specifications				
Model	QL9800E-1S	QL9800E-2S	QL9800E-4S	QL9800E-5S
Lens color	Translucent			
Light color	Cooldaylight			
Color temperature	6,000-7,000K			
Luminous flux	2,398lm	1,456lm	741lm	1,450lm
Specifications				
Model	QL9800E-1S	QL9800E-2S	QL9800E-4S	QL9800E-5S
Voltage	DC12V-24V			
Range for operation voltage	DC21.5-26.5V			
Power consumption	24W	15W	10W	15W
Insulation resistance	Min. 50MΩ(500V DC mega ohm meter)			
Withstanding voltage	DC : 500VAC, 60Hz, 1 minute			
Operating temperature	-40°C to +65°C			
Protection rating	IP67			
Materials	Housing: Al, Lens : PC			
Certificate	CE			
Weight(Approx.)	0.85kg	0.80kg	0.80kg	0.80kg

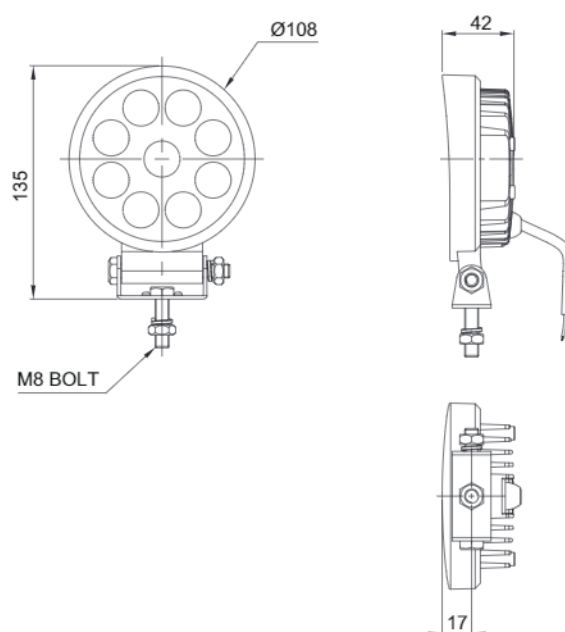
Technical Diagram

(Units : mm)

QL9800E-1S



QL9800E-2S



QL9800E series

Water and Vibration LED
Work Lights with IP67 Protection

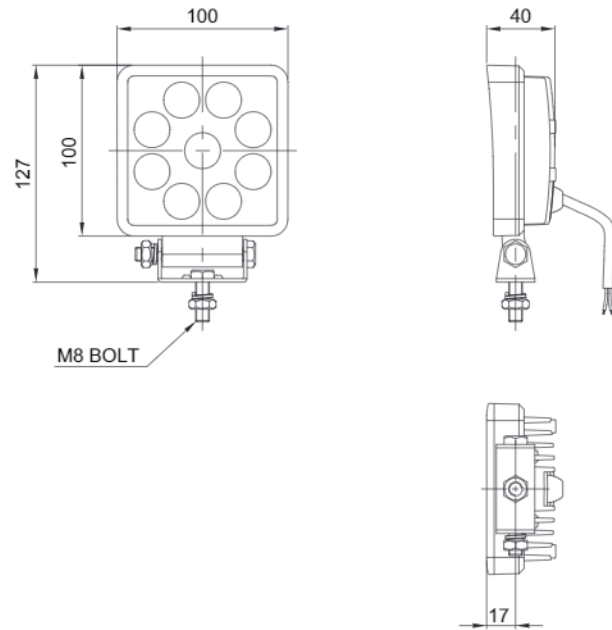
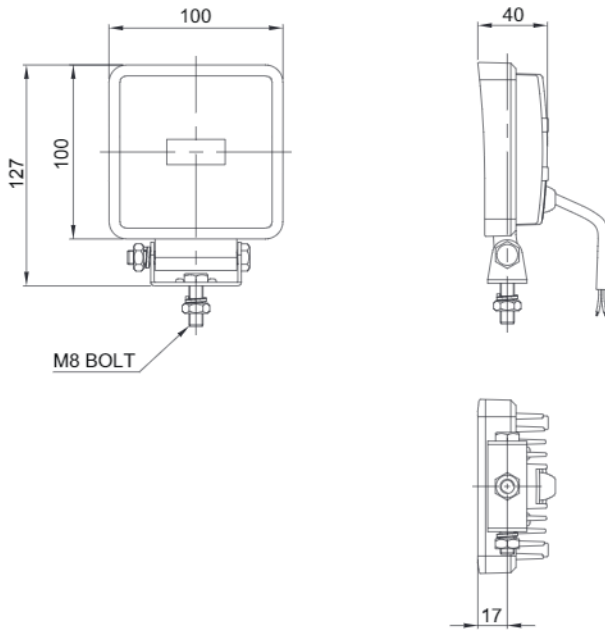


Technical Diagram

(Units : mm)

QL9800E-4S

QL9800E-5S



Ordering Specification

QL9800E-1S

[Model number]

- QL9800E-1S
- QL9800E-2S
- QL9800E-4S
- QL9800E-5S

12/24

[Voltage]

- 12/24-DC12V-24V



Please read user manual carefully prior to operation to ensure safe and correct use. Failure to follow safety instructions may lead to electric shock because of fire and short circuit.

Specification and dimensions listed in this catalogue subject to change without notice for product quality improvement. The newest product information is available on our website.