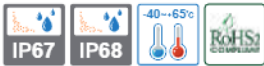


QL98 series

Water and Vibration LED Work Lights with IP67/ IP68K Protection



Water / Dust proof high brightness LED work light that resists against severe storm and heavily dusty environment



Common Specifications(QL98 series)

- Water / Dust proof LED work light that resists against severe storm and heavily dusty environment
- IP67/ IP68 protection rating, waterproof & dust resistant model that can be used where dusty and flooded area
- Polycarbonate lens allows excellent vibration and impact resistance.
- Long lifetime with a high intensity LED light source allows for easy maintenance
- Excellent durability that is suitable for harsh environment such as an excavator, crane, and off-road vehicle
- Materials : Housing: Al, Lens : PC
- Certificates : CE



Test Conditions/ Regulations

Vibration Resistance Test	<ul style="list-style-type: none"> • Acceleration : 20m/s² • Duration : 1 octave/min • Range of frequency : 10-150Hz • Amplitude : 10 times maximum 7.5mm, direction : test 10times in 3 directions(X, Y, Z)
Shock Resistance Test	<ul style="list-style-type: none"> • Acceleration : 20g • Directions : ±X, ±Y, ±Z • Numbers : 3 times each directions • Time period : 11ms for each direction • Waveform : Half sine
Solid Particle Protection Test(IP6X)	<ul style="list-style-type: none"> • After reducing the pressure inside the test object, spray talcum powder with a nominal diameter of 50um for 2 hours at 40-60meters/hour inside the dust chamber. • IEC60529
Liquid Ingress Protection Test(IPX7)	<ul style="list-style-type: none"> • Test ingress by putting the object under 1000mm water with 2bar of pressure for 30 mins
Liquid Ingress Protection Test(IPX8)	<ul style="list-style-type: none"> • Much more strict than IPX7 protection rating and there must be an agreement between manufacturer and customer

QL9840 series

Water and Vibration LED
Work Lights with IP67 Protection



QL9840-7



QL9840-10



QL9840-14



Common Specifications

Optics Specifications

Model	QL9840-7	QL9840-10	QL9840-14
Lens color		Translucent	
Light color		Cooldaylight	
Color temperature		6,000-7,000K	
Luminous flux	942lm	1042lm	2219lm

Specifications

Model	QL9840-7	QL9840-10	QL9840-14
Voltage		DC12V-24V	
Range for operation voltage		DC11.5V-26.5V	
Power consumption	13W	13W	32W
Insulation resistance		Min. 50MΩ(500V DC mega ohm meter)	
Withstanding voltage		DC:500V AC, 60Hz, 1minute	
Operating temperature		-40°C - +65°C	
Protection rating		IP67	
Materials		몸체 : Al, 렌즈 : PC	
Certificate		CE	
Weight(Approx.)	0.50kg	0.50kg	0.90kg

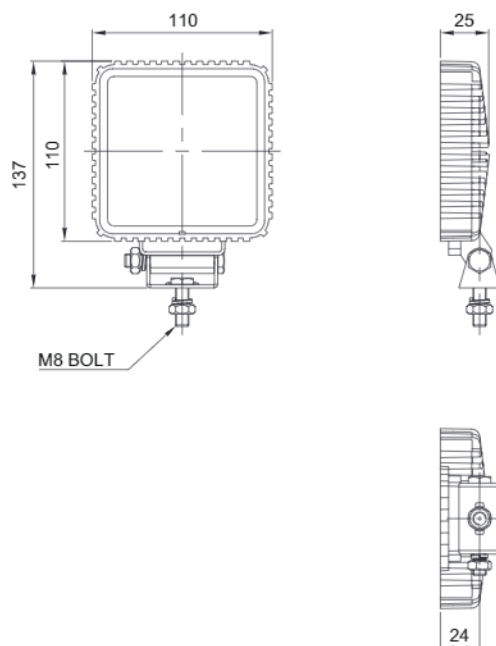
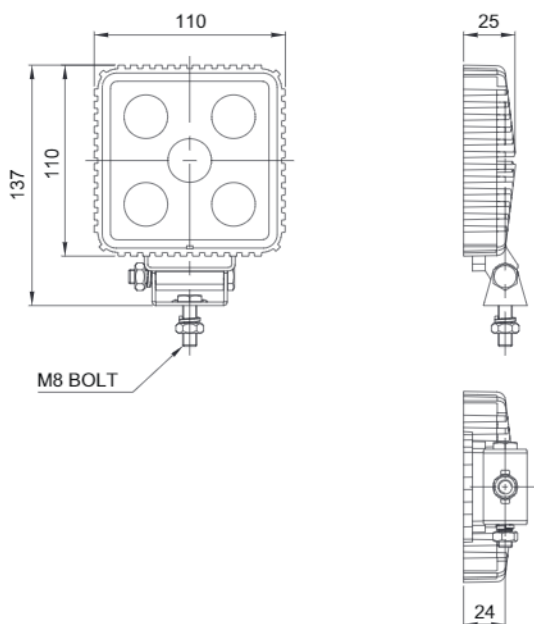


Technical Diagram

(Units : mm)

QL9840-7

QL9840-10



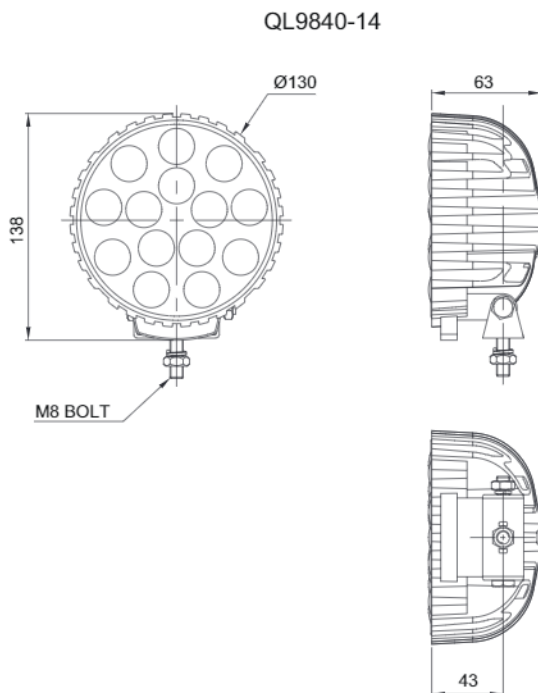
QL9840 series

Water and Vibration LED
Work Lights with IP67 Protection



Technical Diagram

(Units : mm)



Ordering Specification

QL9840-7

[Model number]

- QL9840-7
- QL9840-10
- QL9840-14

12/24

[Voltage]

- 12/24-DC12V-24V



Please read user manual carefully prior to operation to ensure safe and correct use. Failure to follow safety instructions may lead to electric shock because of fire and short circuit.
Specification and dimensions listed in this catalogue subject to change without notice for product quality improvement. The newest product information is available on our website.