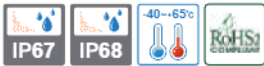


# QL98 series

Water and Vibration LED Work Lights with IP67/ IP68K Protection



## Water / Dust proof high brightness LED work light that resists against severe storm and heavily dusty environment



### Common Specifications(QL98 series)

- Water / Dust proof LED work light that resists against severe storm and heavily dusty environment
- IP67/ IP68 protection rating, waterproof & dust resistant model that can be used where dusty and flooded area
- Polycarbonate lens allows excellent vibration and impact resistance.
- Long lifetime with a high intensity LED light source allows for easy maintenance
- Excellent durability that is suitable for harsh environment such as an excavator, crane, and off-road vehicle
- Materials : Housing: Al, Lens : PC
- Certificates : CE



### Test Conditions/ Regulations

Vibration Resistance Test	<ul style="list-style-type: none"> <li>• Acceleration : 20m/s<sup>2</sup></li> <li>• Duration : 1 octave/min</li> <li>• Range of frequency : 10-150Hz</li> <li>• Amplitude : 10 times maximum 7.5mm, direction : test 10times in 3 directions(X, Y, Z)</li> </ul>
Shock Resistance Test	<ul style="list-style-type: none"> <li>• Acceleration : 20g</li> <li>• Directions : ±X, ±Y, ±Z</li> <li>• Numbers : 3 times each directions</li> <li>• Time period : 11ms for each direction</li> <li>• Waveform : Half sine</li> </ul>
Solid Particle Protection Test(IP6X)	<ul style="list-style-type: none"> <li>• After reducing the pressure inside the test object, spray talcum powder with a nominal diameter of 50um for 2 hours at 40-60meters/hour inside the dust chamber.</li> <li>• IEC60529</li> </ul>
Liquid Ingress Protection Test(IPX7)	<ul style="list-style-type: none"> <li>• Test ingress by putting the object under 1000mm water with 2bar of pressure for 30 mins</li> </ul>
Liquid Ingress Protection Test(IPX8)	<ul style="list-style-type: none"> <li>• Much more strict than IPX7 protection rating and there must be an agreement between manufacturer and customer</li> </ul>

# QL9840F series

Water and Vibration LED  
Work Lights with IP68 Protection



## QL9840F1-40



## QL9840F2-40



### Common Specifications

#### Optics Specifications

Model	QL9840F1-40	QL9840F2-40
Lens color	Translucent	
Light color	Cooldaylight	
Color temperature	6,000-7,000K	
Luminous flux	2870lm	2870lm

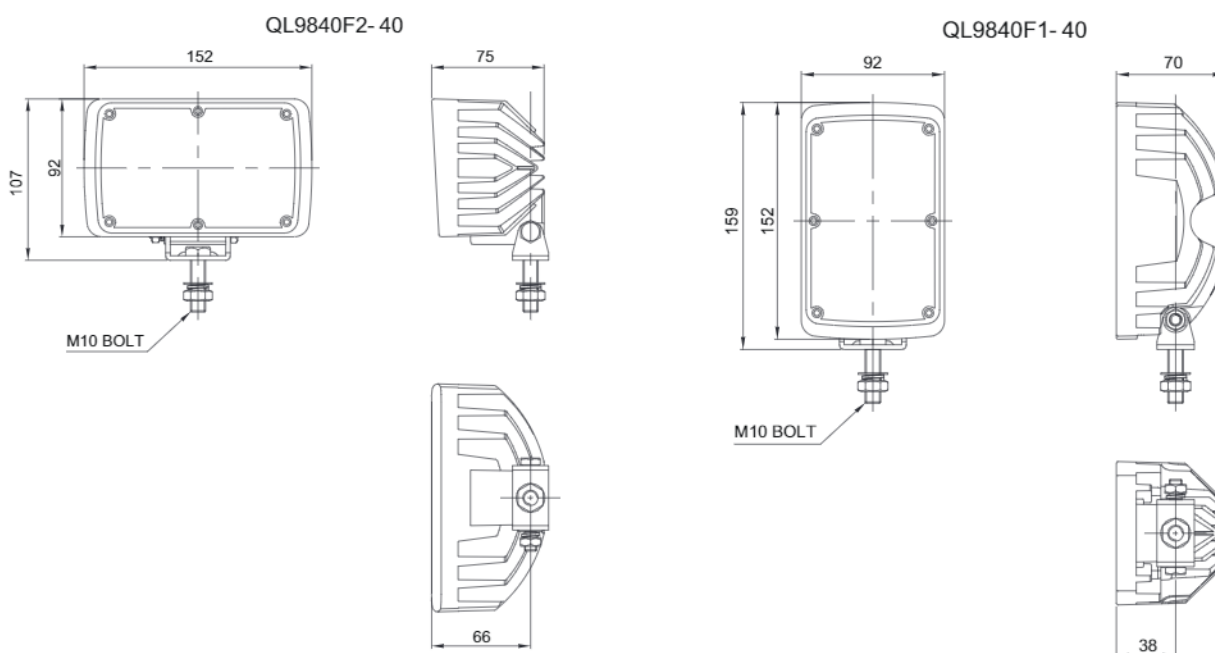
#### Specifications

Model	QL9840F1-40	QL9840F2-40
Voltage	DC12V-24V	
Range for operation voltage	DC11.5V-26.5V	
Power consumption	33W	33W
Insulation resistance	Min. 50MΩ(500V DC mega ohm meter)	
Withstanding voltage	DC : 500V AC, 60Hz, 1 minute	
Operating temperature	-40°C to +65°C	
Protection rating	IP68	
Materials	Housing: Al, Lens : PC	
Certificate	CE	
Weight(Approx.)	0.95kg	0.95kg



### Technical Diagram

(Units : mm)



# QL9840F series

Water and VibrationLED  
Work Lights with IP68 Protection



## Ordering Specification

**QL9840F1-40**

[Model number]

- QL9840F1-40
- QL9840F2-40

**12/24**

[Voltage]

- 12/24-DC12V-24V



Please read user manual carefully prior to operation to ensure safe and correct use. Failure to follow safety instructions may lead to electric shock because of fire and short circuit.

Specification and dimensions listed in this catalogue subject to change without notice for product quality improvement. The newest product information is available on our website.