

SX0A-A0000B

SICK
Sensor Intelligence.



Ordering information

Type	Part no.
SX0A-A0000B	2023797

Other models and accessories → www.sick.com/

Detailed technical data

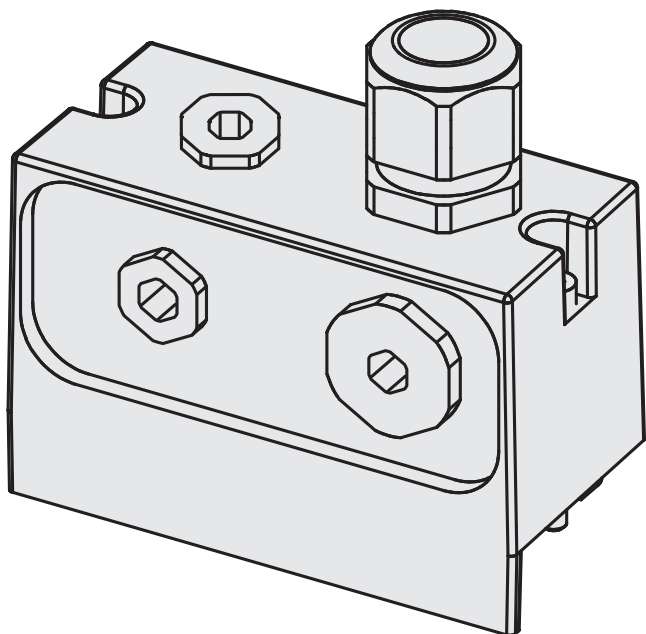
Technical specifications

Accessory group	Plug connectors and cables
Accessory family	Other connectors and cables
Connection type head A	System plug
Special feature	Without cable, Not for use of incremental encoders, integrated configuration storage
Items supplied	With 1 x cable gland M20, 1 x blanking plug M20, 2 x blanking plug M12
Description	For S3000 Standard, Advanced, Remote, Professional and Expert

Classifications

ECl@ss 5.0	27279290
ECl@ss 5.1.4	27279290
ECl@ss 6.0	27279221
ECl@ss 6.2	27279221
ECl@ss 7.0	27440104
ECl@ss 8.0	27440104
ECl@ss 8.1	27440104
ECl@ss 9.0	27440102
ECl@ss 10.0	27440102
ECl@ss 11.0	27440102
ETIM 5.0	EC002635
ETIM 6.0	EC002635
ETIM 7.0	EC002635
UNSPSC 16.0901	39121421

Connection type



SICK AT A GLANCE

SICK is one of the leading manufacturers of intelligent sensors and sensor solutions for industrial applications. A unique range of products and services creates the perfect basis for controlling processes securely and efficiently, protecting individuals from accidents and preventing damage to the environment.

We have extensive experience in a wide range of industries and understand their processes and requirements. With intelligent sensors, we can deliver exactly what our customers need. In application centers in Europe, Asia and North America, system solutions are tested and optimized in accordance with customer specifications. All this makes us a reliable supplier and development partner.

Comprehensive services complete our offering: SICK LifeTime Services provide support throughout the machine life cycle and ensure safety and productivity.

For us, that is “Sensor Intelligence.”

WORLDWIDE PRESENCE:

Contacts and other locations –www.sick.com